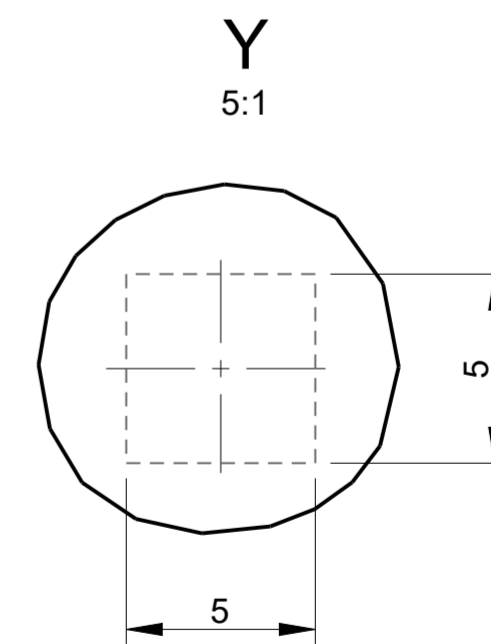
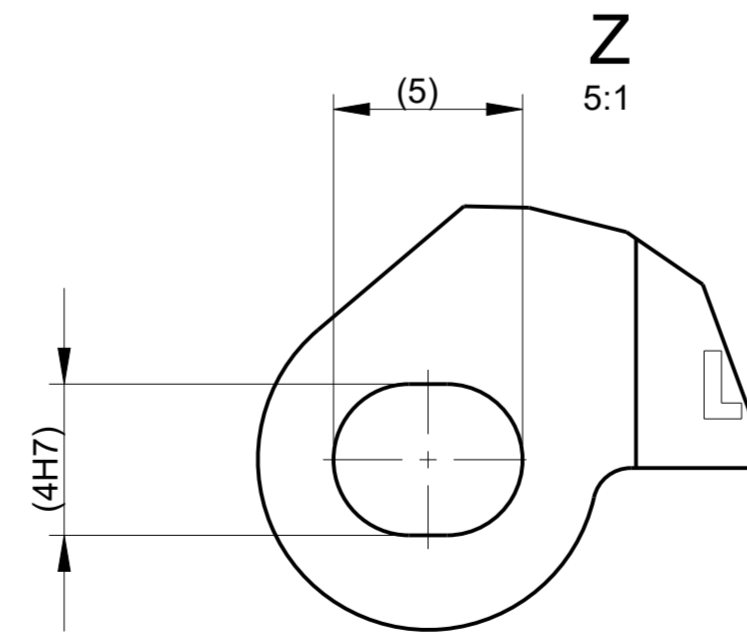
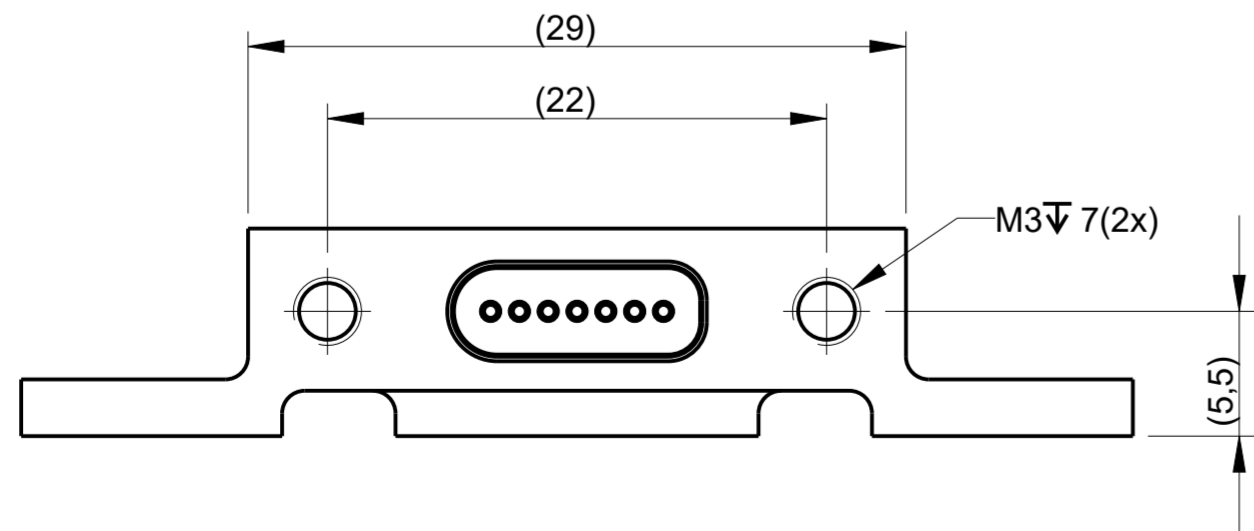
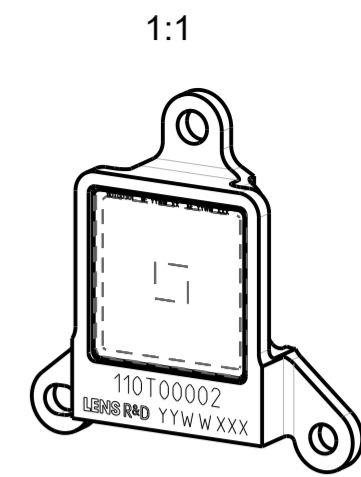
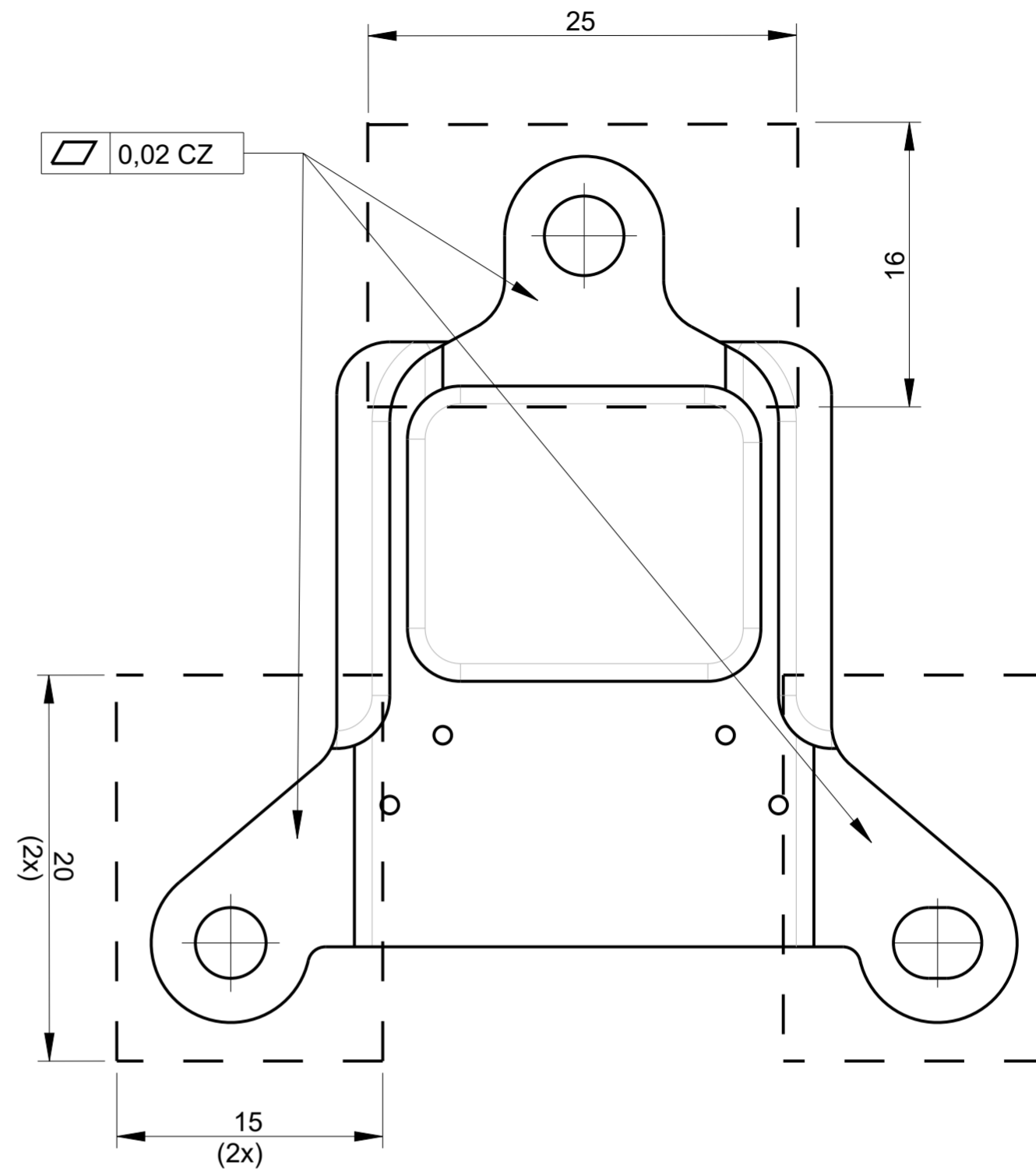
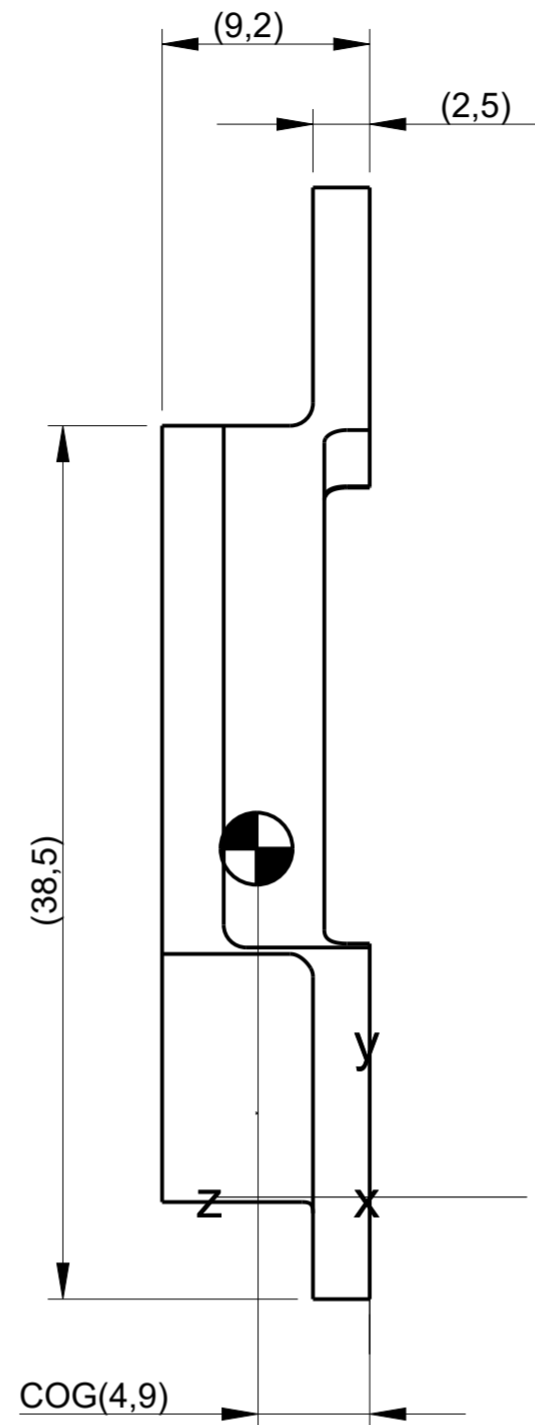
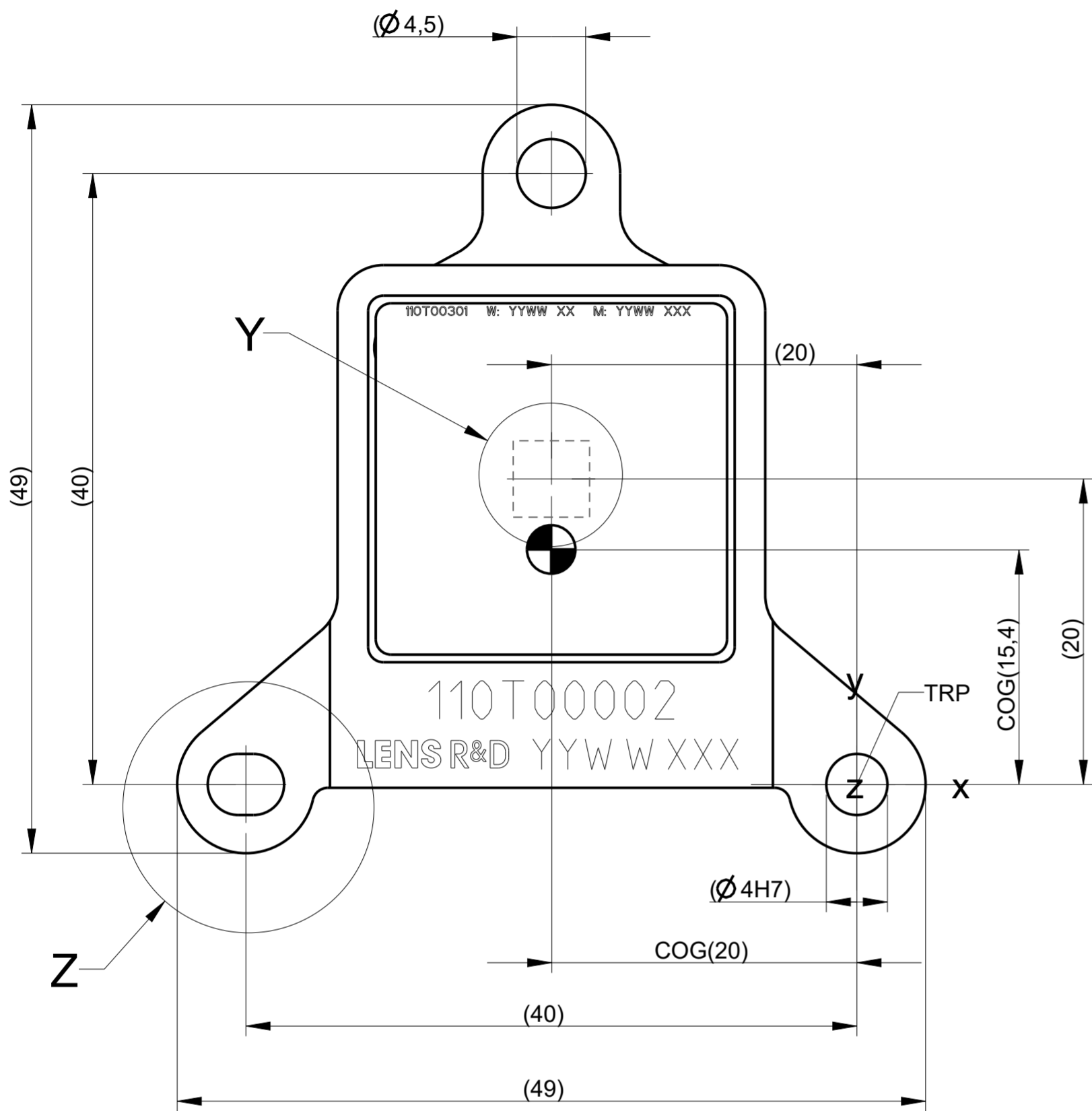


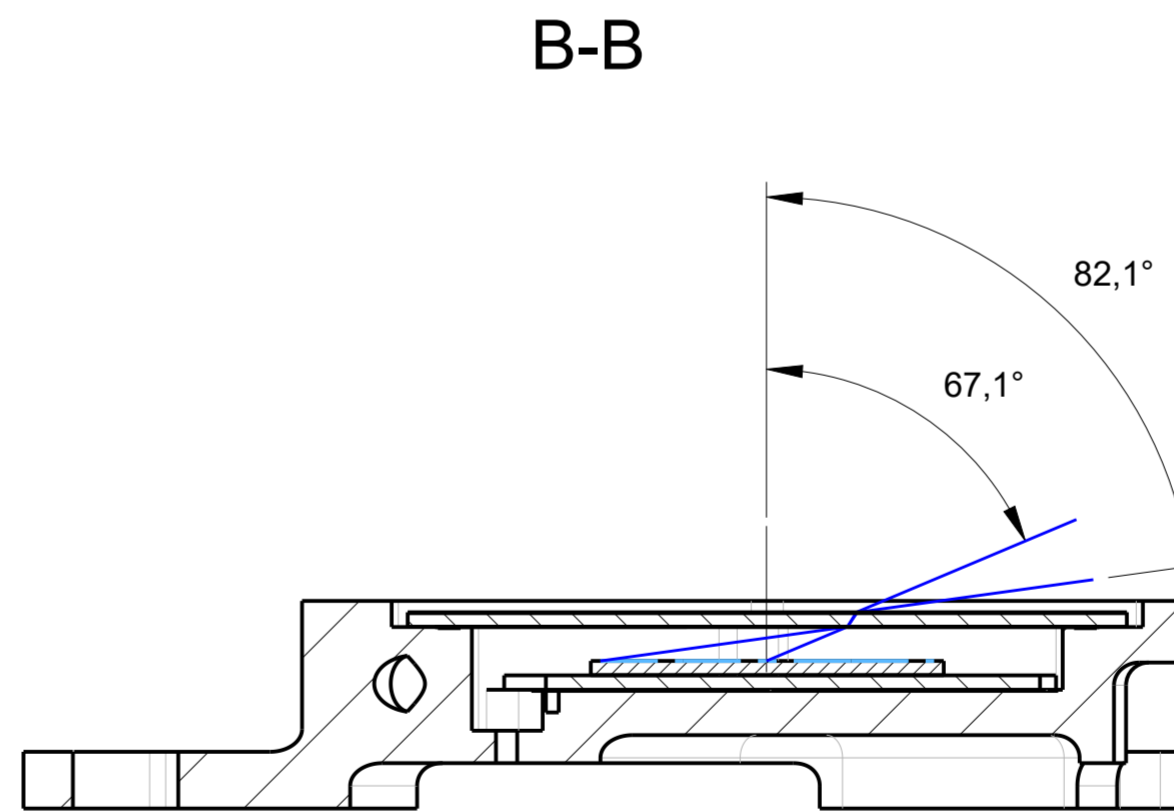
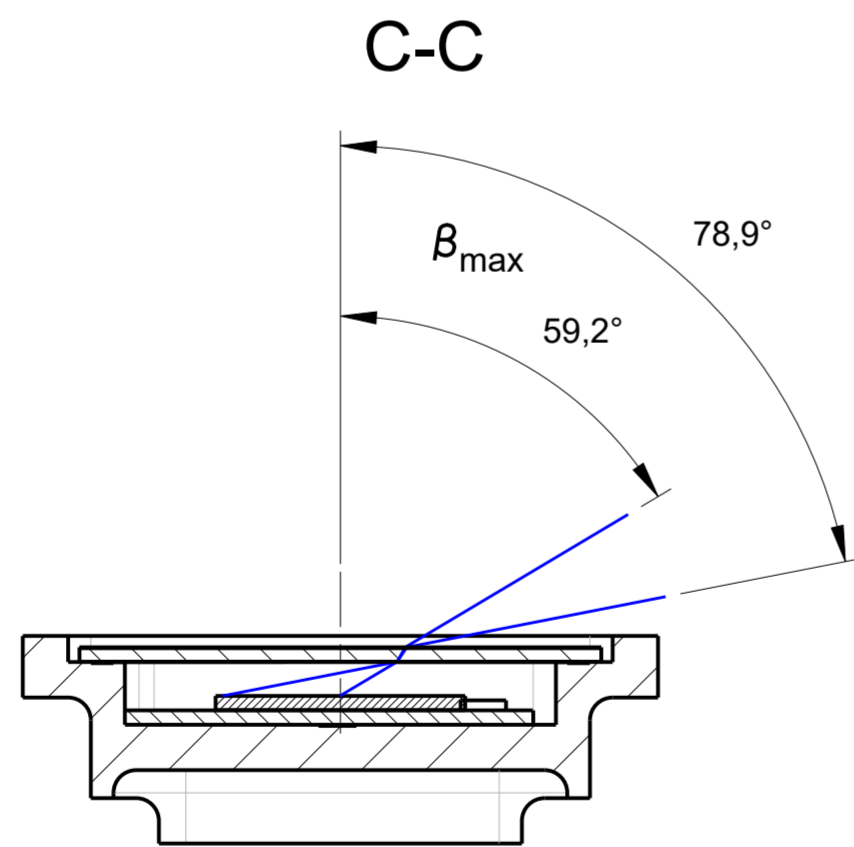
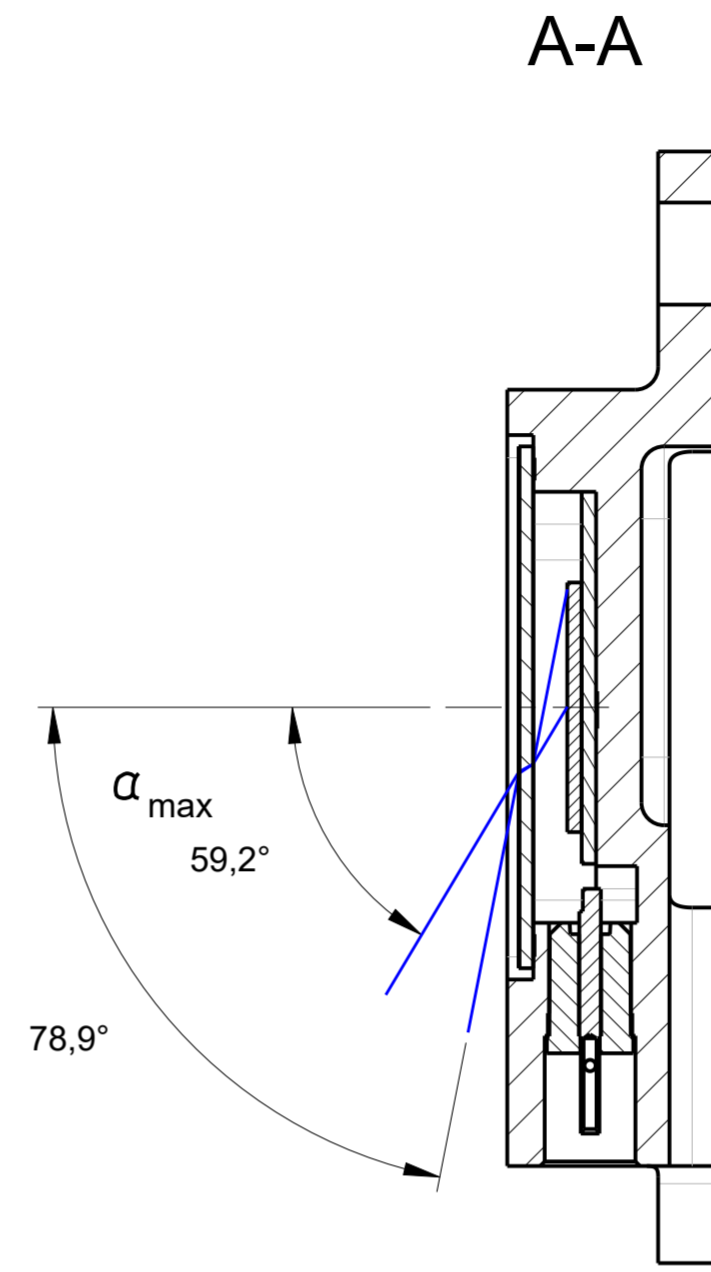
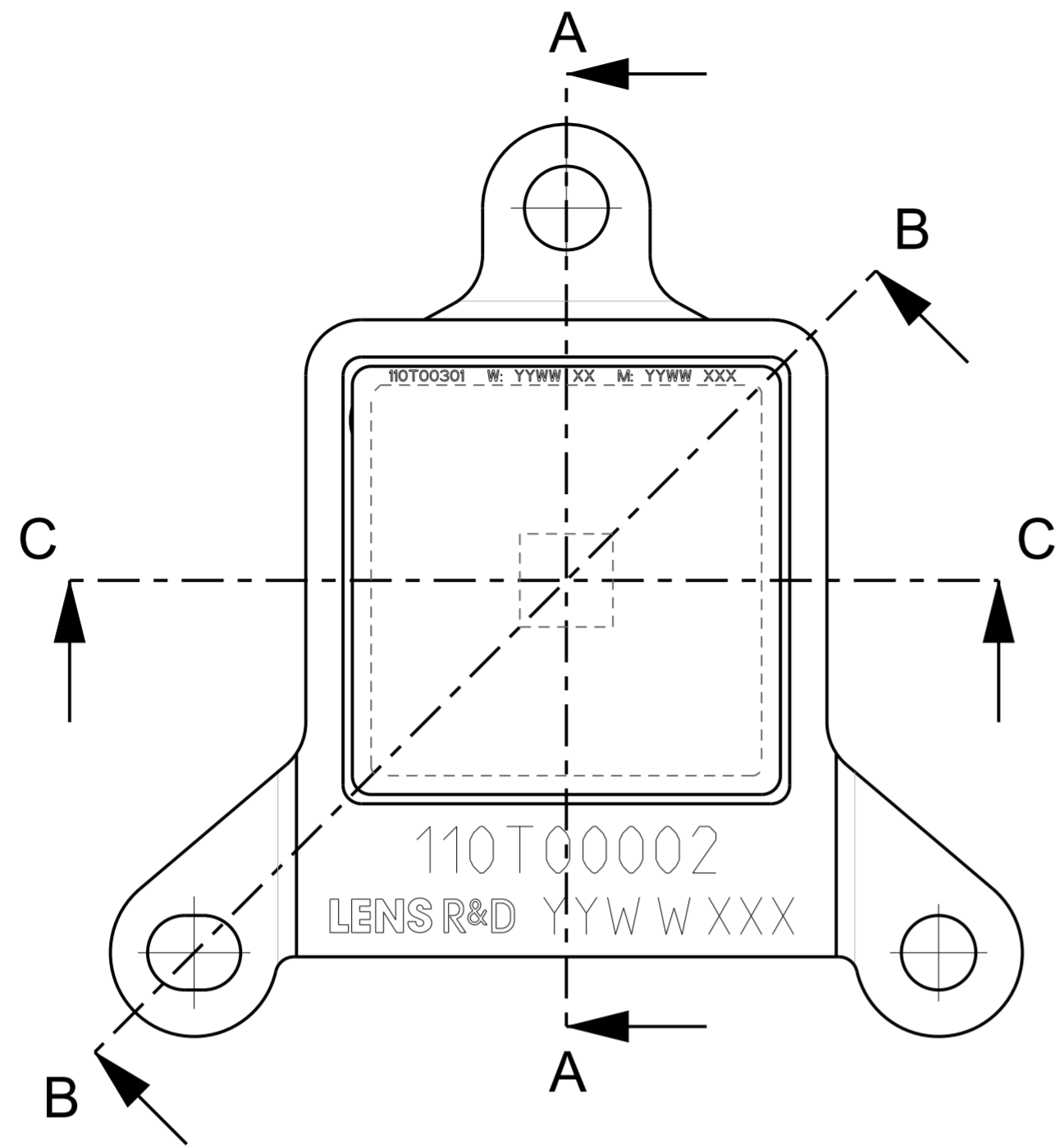
The copying, distribution and utilization of this document as well as the communication of its contents to others without expressed authorization is prohibited. Offenders will be held liable for the payment of damages. All rights reserved.



				General Tolerances		Material	
				ISO 2768-fK		-	
				Surface Tolerances		Finish	
				DIN ISO 1302		-	
				Mass		Description	
				22,7 ± 1 g		BiSon64-ET	
				Projection		IC-Drawing	
				A2		Drawing Number	
				110T70105		Sheet	
				1		of 5	
				Replaces: -		Derived from: -	

Drawn	26-04-21	AAN	Scale	3:1
Checked	14-06-21	JLS	Project Name	BiSon64-ET
Modified	11-03-22	AAN	Project Number	110T000xx
Norm	-	-	Production	

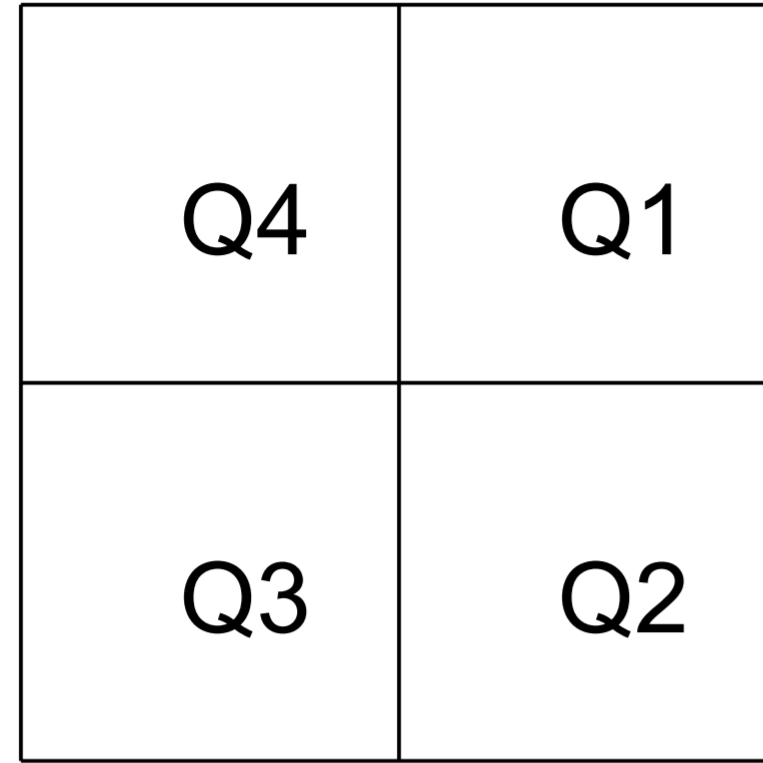
The copying, distribution and utilization of this document as well as the communication of its contents to others without expressed authorization is prohibited. Offenders will be held liable for the payment of damages. All rights reserved.



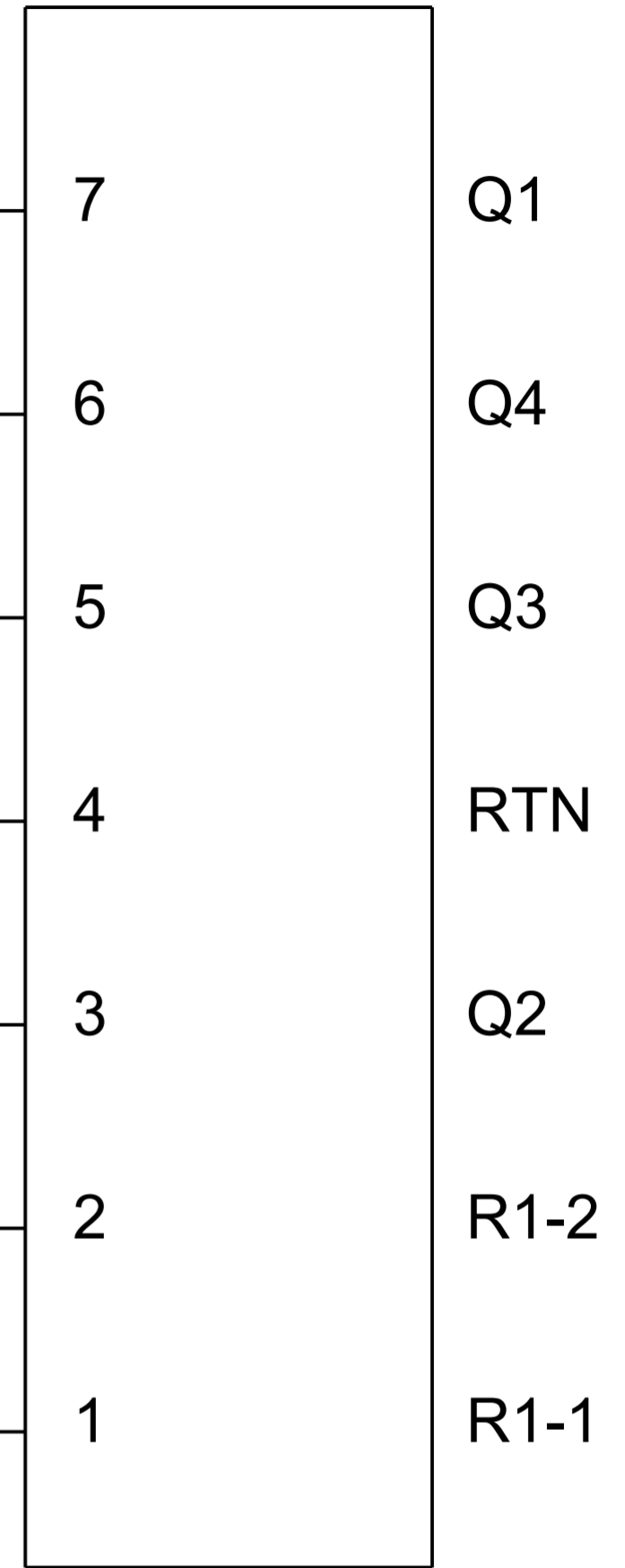
Note:  
Accuracy of all indicated dimensions  $\pm 2^\circ$ .

<b>LENS R&amp;D</b>				General Tolerances		Material	
				ISO 2768-fK		-	
				Surface Tolerances		Finish	
				DIN ISO 1302		-	
				Mass		Description	
				22,7 ± 1 g		BiSon64-ET IC-Drawing	
Drawn	Date	Name	Scale	Projection	Size	Drawing Number	
26-04-21	AAN	3:1					
Checked	14-06-21	JLS	Project Name	A2		110T70105	
Modified	11-03-22	AAN	BiSon64-ET				
Norm	-	-	Project Number	Production		Replaces: - Derived from: -	
Rel.level	Production	110T000xx					

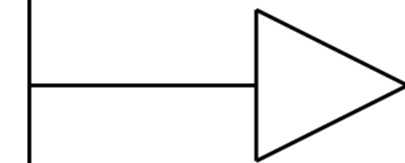
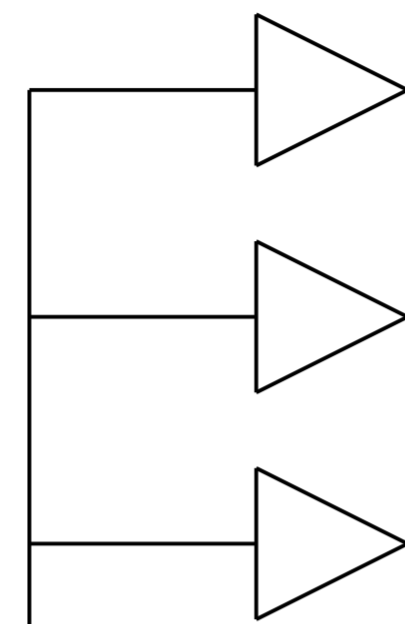
TOP VIEW D1



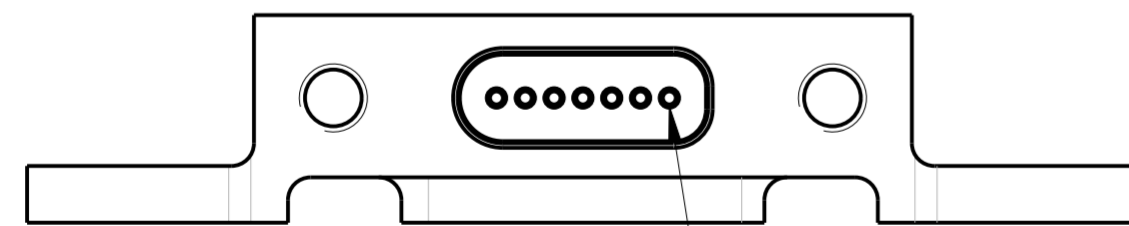
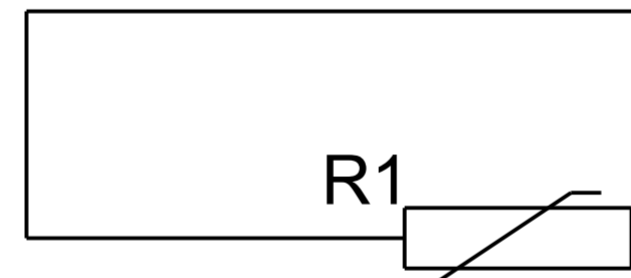
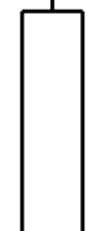
J1



D1



R2  
1,2MΩ ± 10%



PIN 1 of J1 "All pins are female"

The copying, distribution and utilization of this document as well as the communication of its contents to others without expressed authorization is prohibited. Offenders will be held liable for the payment of damages. All rights reserved.

				General Tolerances		Material	
				ISO 2768-fK		-	
				Surface Tolerances		Finish	
				DIN ISO 1302		-	
				Mass		Description	
				22,7 ± 1 g		BiSon64-ET	
				Projection		IC-Drawing	
				A2			
Drawn	Date	Name	Scale	Project Name		Drawing Number	
	26-04-21	AAN	3:1	BiSon64-ET		110T70105	
Checked	14-06-21	JLS	Project Number		Sheet		
Modified	11-03-22	AAN	110T000xx		3		
Norm	-	-			of 5		
Rel.level	Production				Replaces: -		Derived from: -

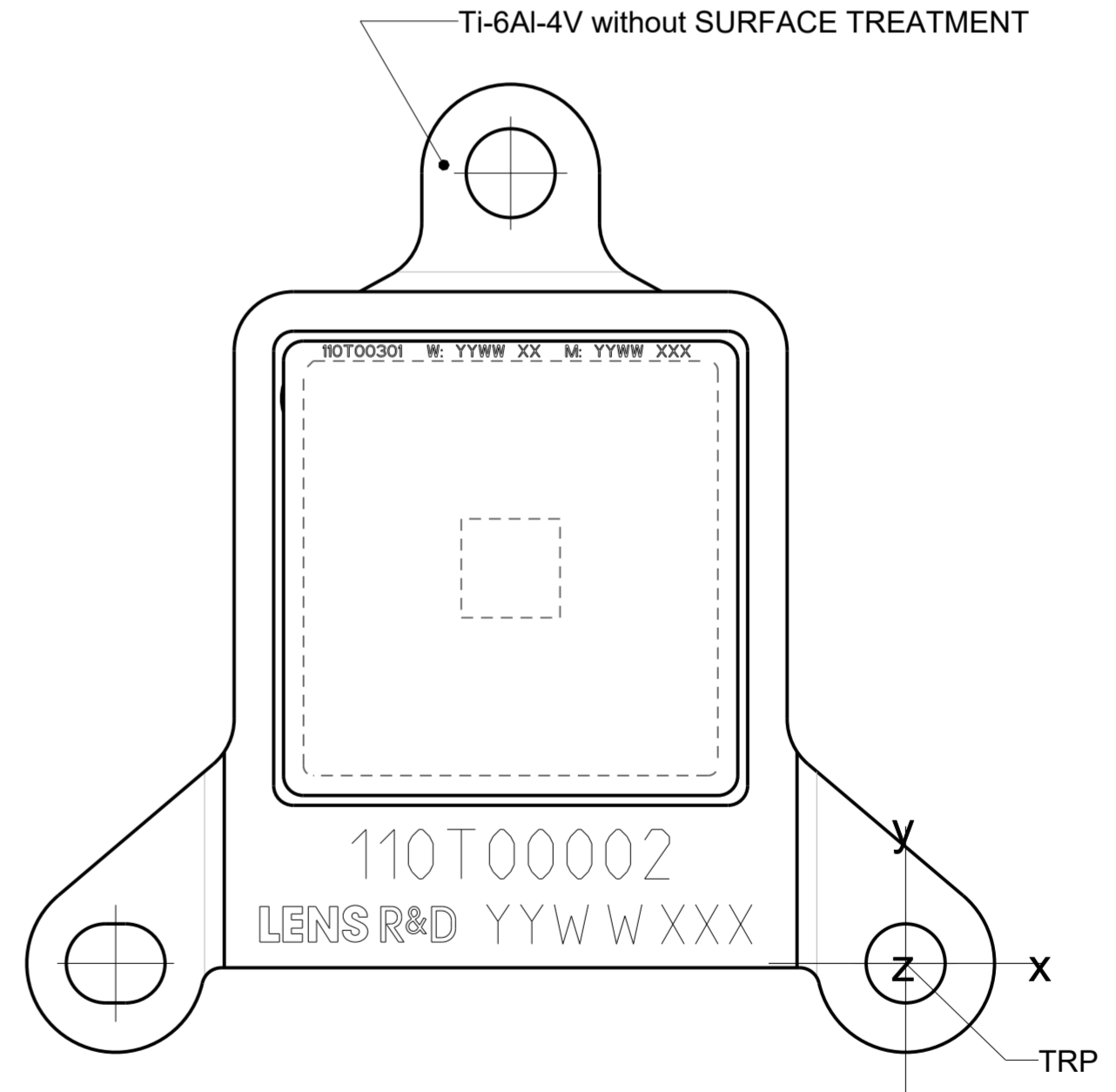
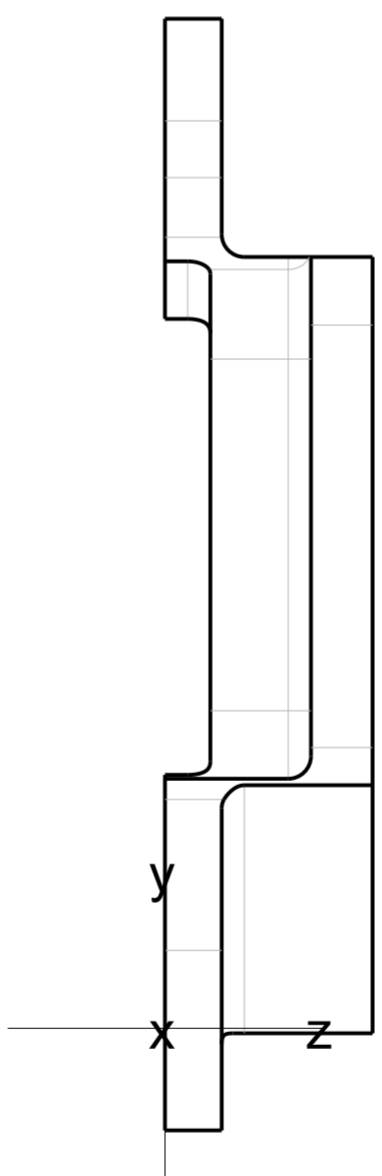
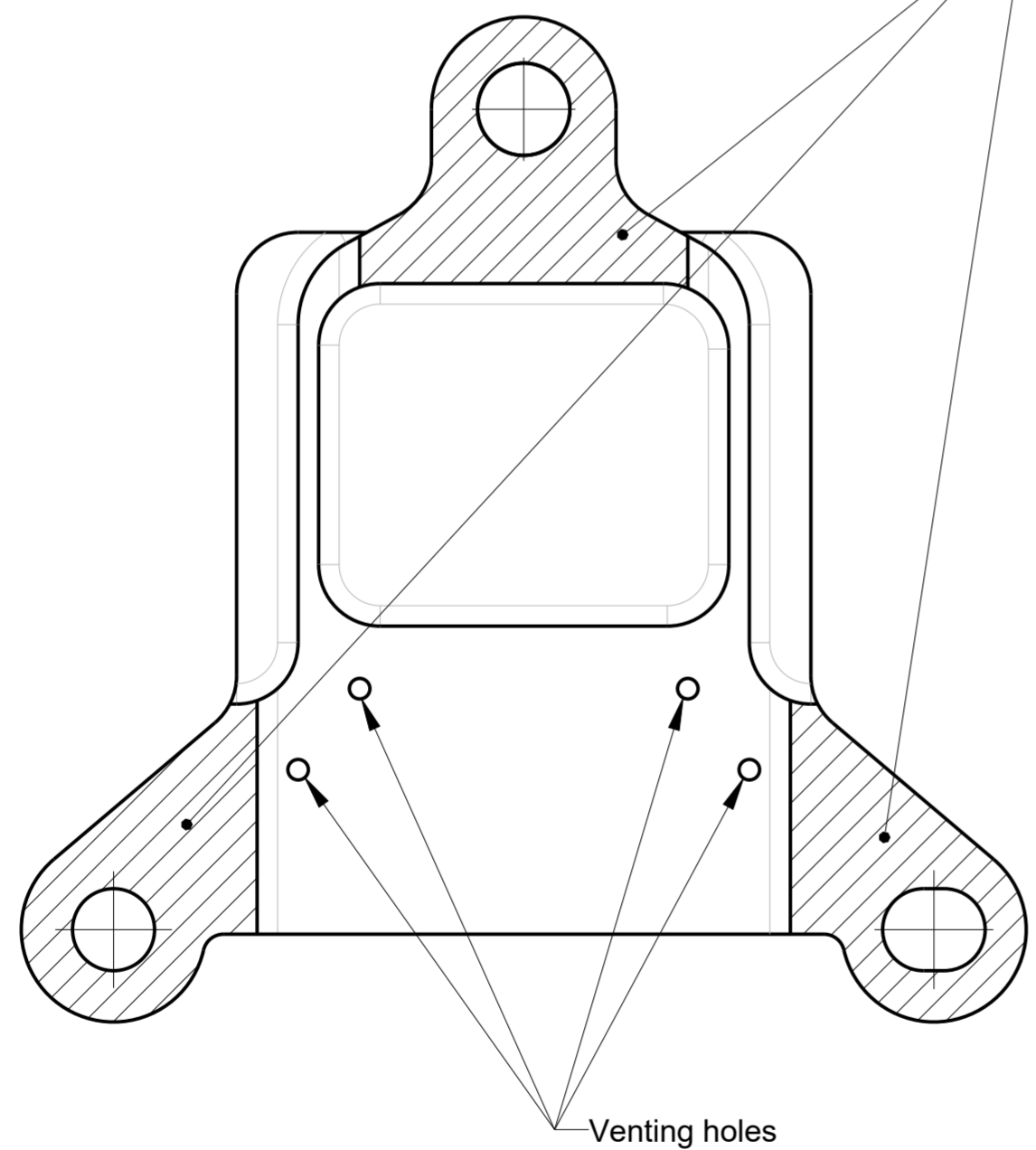
PRINCIPAL MOMENTS OF INERTIA WITH RESPECT TO  
TEMPERATURE REFERENCE POINT COORDINATE SYSTEM (kg·mm<sup>2</sup>)

Ixx 9.01e+00  
Iyy 1.17e+01  
Izz 1.94e+01

PRINCIPAL MOMENTS OF INERTIA AT CENTER OF GRAVITY WITH RESPECT TO  
TEMPERATURE REFERENCE POINT COORDINATE SYSTEM (kg·mm<sup>2</sup>)

Ixx 3.17e+00  
Iyy 2.15e+00  
Izz 5.05e+00

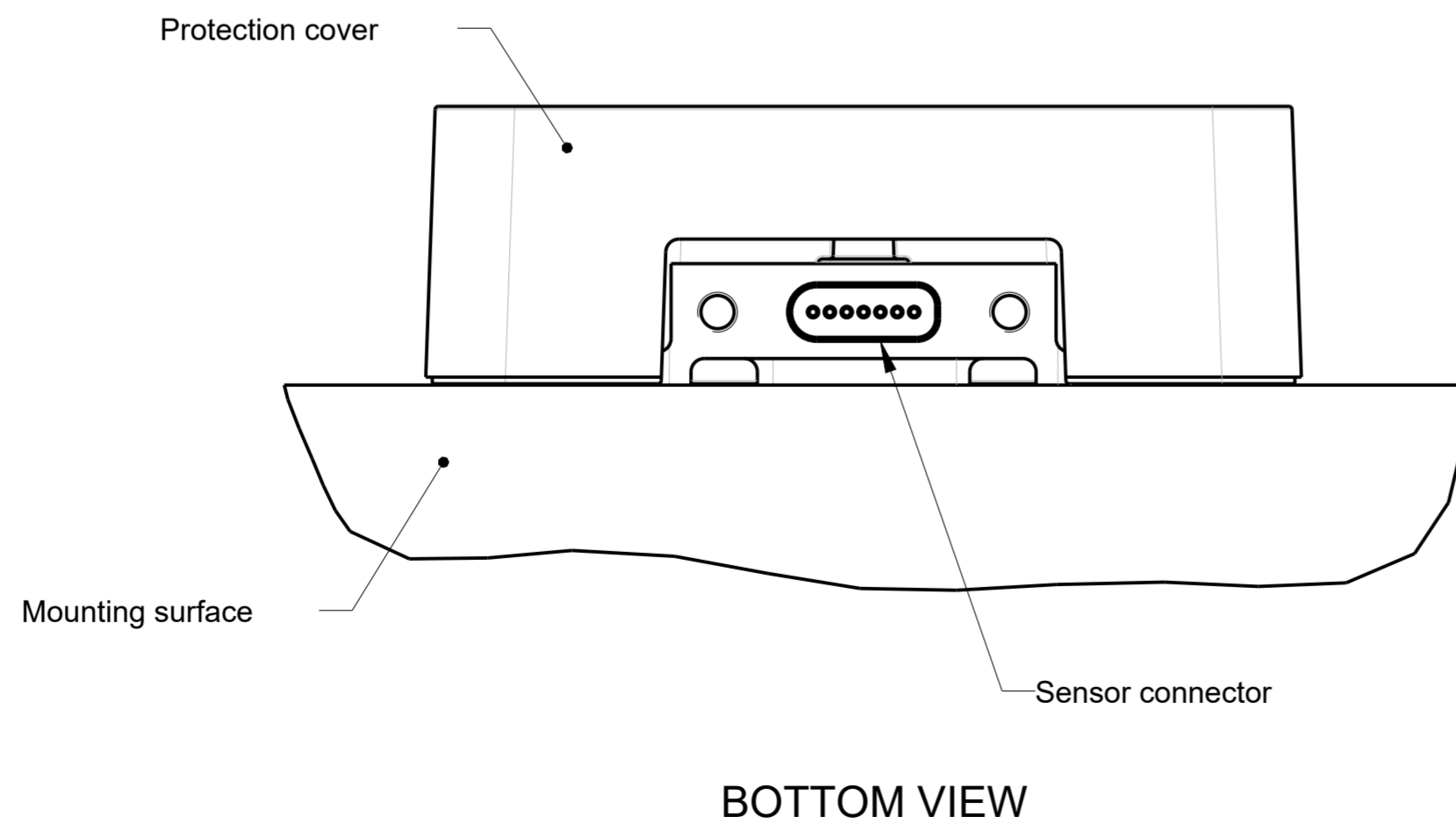
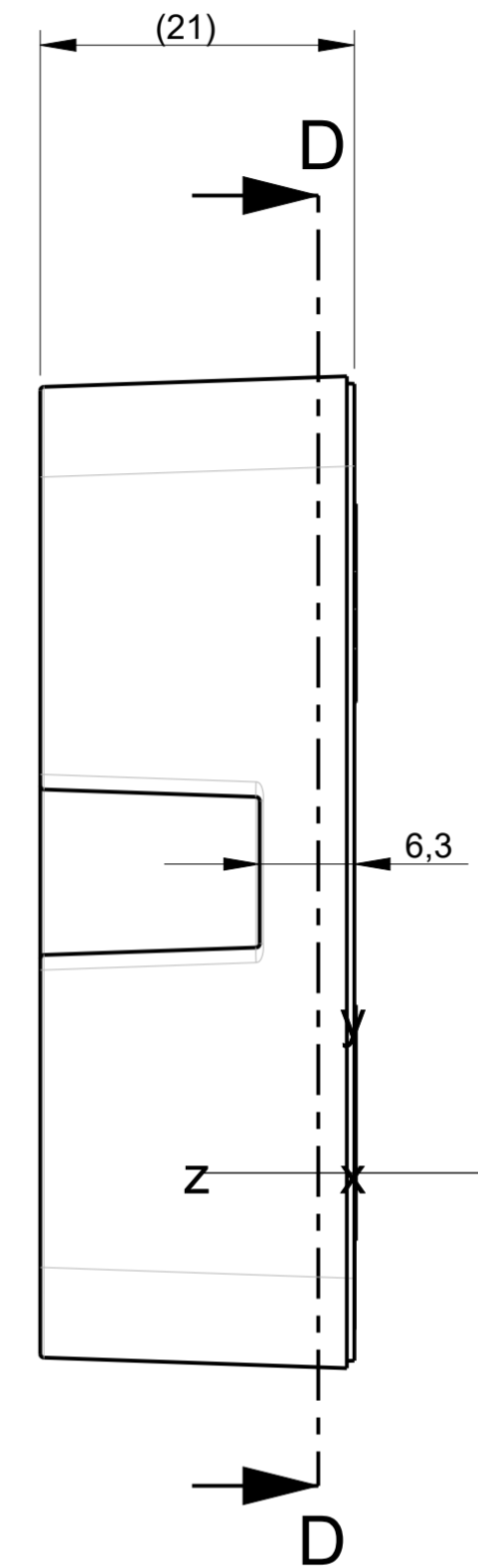
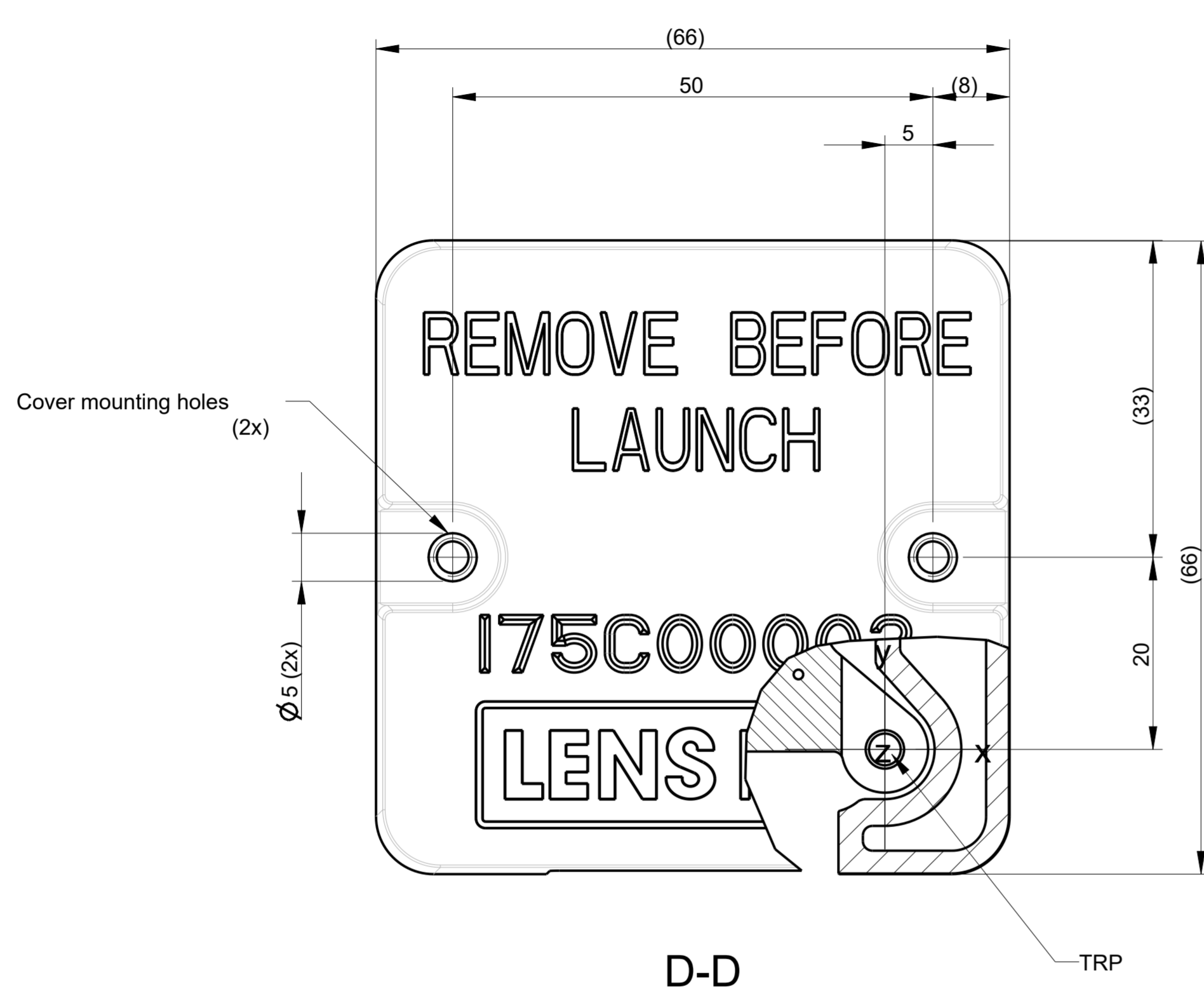
TOTAL MOUNTING FEET CONTACT AREA 311 ± 10 mm<sup>2</sup>



The copying, distribution and utilization of this document as well as the communication of its contents to others without expressed authorization is prohibited. Offenders will be held liable for the payment of damages. All rights reserved.

				General Tolerances		Material	
				ISO 2768-fK		-	
				Surface Tolerances		Finish	
				DIN ISO 1302		-	
				Mass		Description	
				22,7 ± 1 g		BiSon64-ET	
				Projection		IC-Drawing	
				A2		Drawing Number	
				110T70105		Sheet	
				4		of 5	
				Replaces: -		Derived from: -	

# PROTECTION COVER MOUNTING DETAILS



Notes:  
 Protection cover is part of transportbox 175C00002  
 and can be re-used to protect sensor before launch.  
 Use cover mounting holes as indicated in the drawing.

				General Tolerances		Material	
				ISO 2768-fK		-	
				Surface Tolerances		Finish	
				DIN ISO 1302		-	
				Mass		Description	
				22,7 ± 1 g		BiSon64-ET	
				Projection		IC-Drawing	
				A2		Drawing Number	
				110T70105		Sheet	
				110T000xx		5	
				Replaces: -		of 5	
				Derived from: -			

The copying, distribution and utilization of this document as well as the communication of its contents to others without expressed authorization is prohibited. Offenders will be held liable for the payment of damages. All rights reserved.