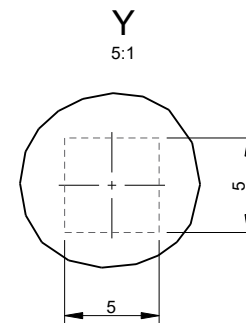
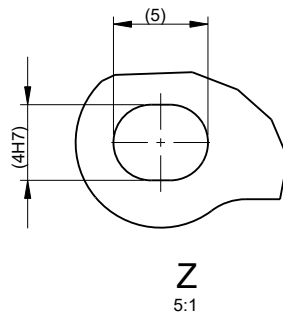
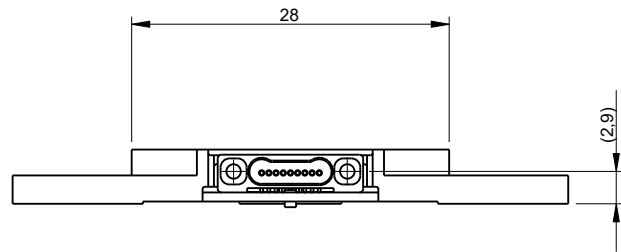
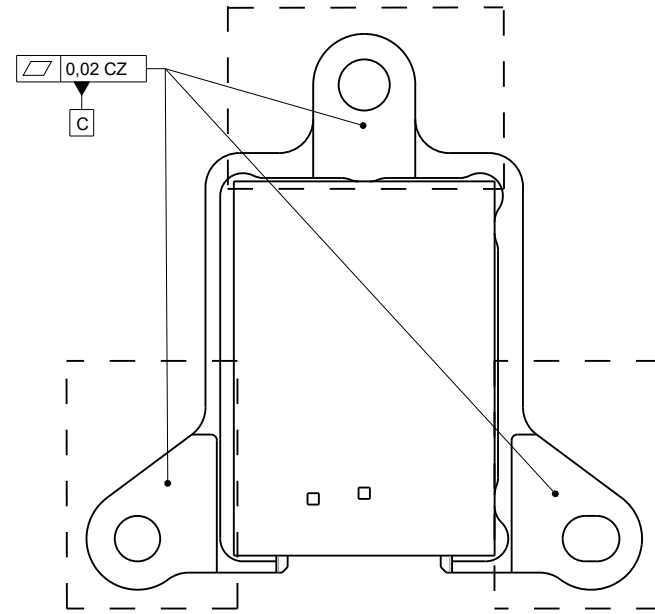
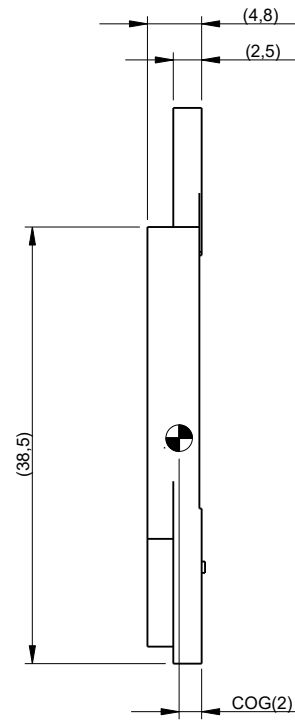
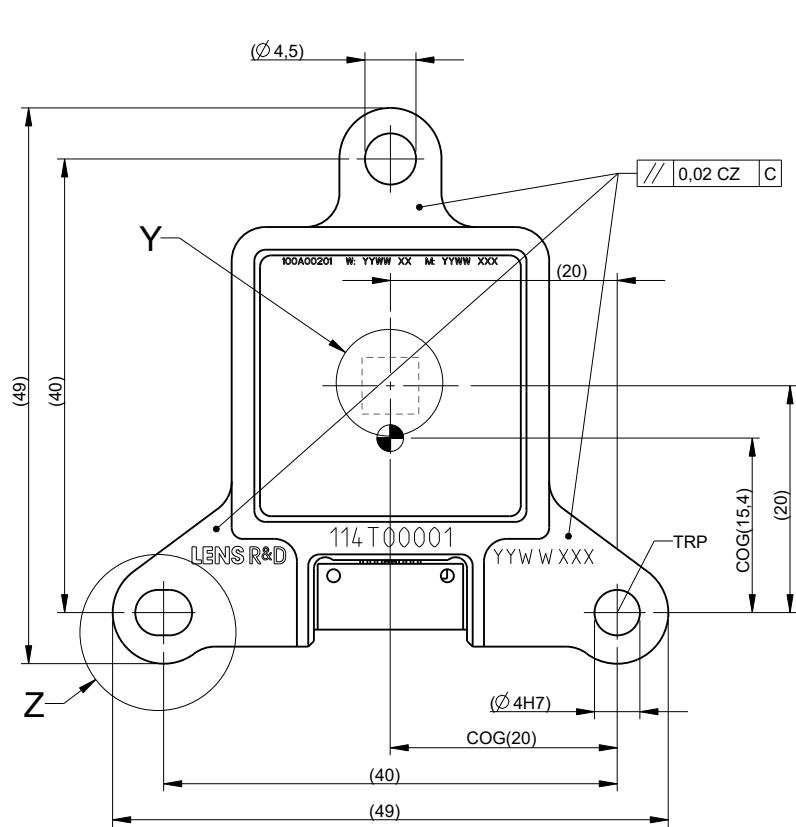
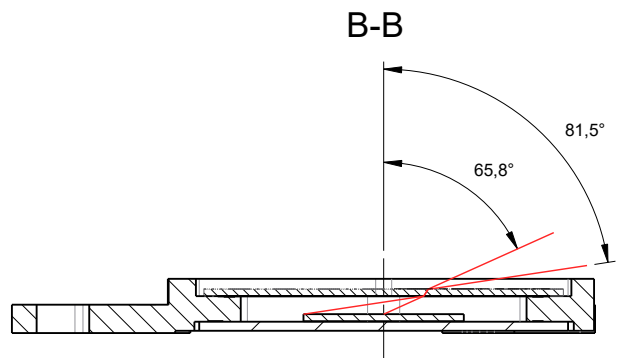
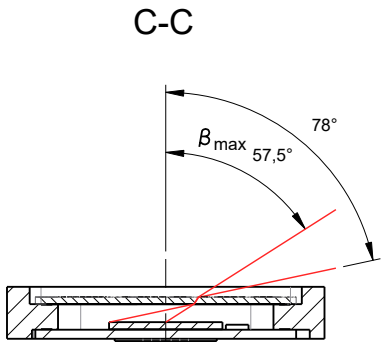
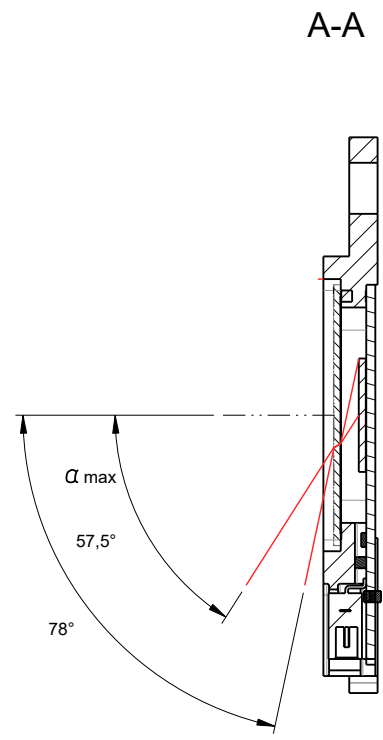
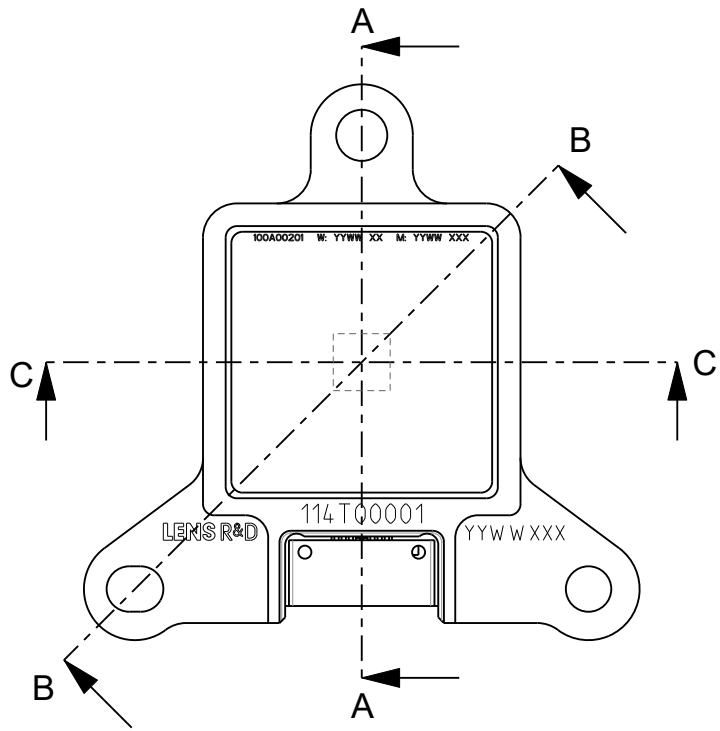


The copying, distribution and utilization of this document as well as the communication of its contents to others without expressed authorization is prohibited. Offenders will be held liable for the payment of damages. All rights reserved.



				General Tolerances		Material	
				ISO 2768-K		-	
				Surface Tolerances		Finish	
				DIN ISO 1302		-	
				Mass		Description	
				14,8 ± 1 gr		MAUS	
				Projection		IC-Drawing	
				A2		Drawing Number	
				114T000xx		114T70102	
				Replaces: -		Derived from: -	
Drawn	2019-08-26	AAN	3:1	Project Name	MAUS		
Checked	2020-01-06	CBE		Project Number	114T000xx		
Modified	2020-11-05	JMU					
Norm	-	-					
Rel. level	Production						
						Sheet	1
						of 5	

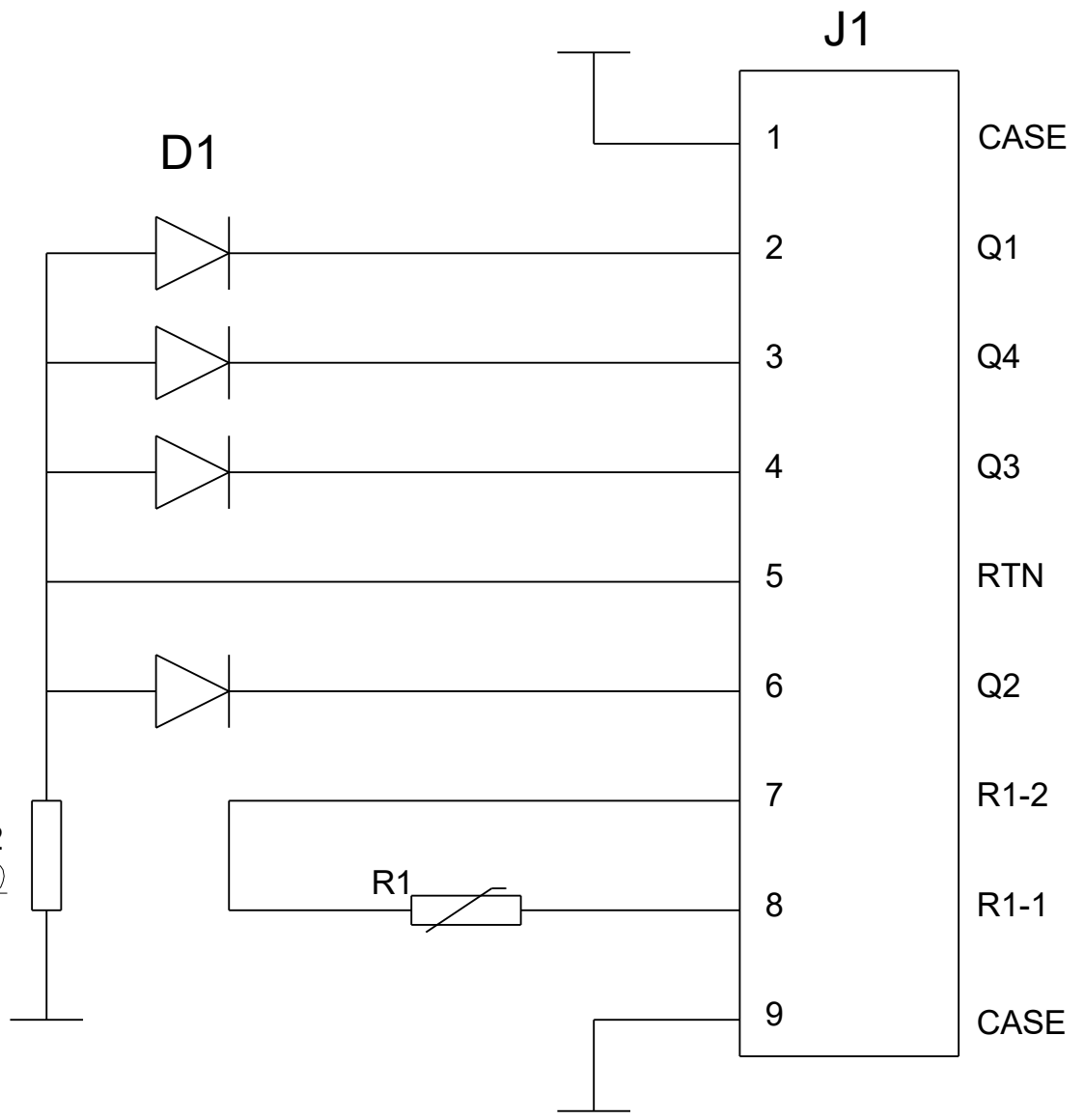
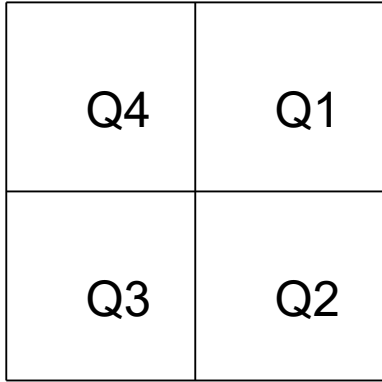
The copying, distribution and utilization of this document as well as the communication of its contents to others without expressed authorization is prohibited. Offenders will be held liable for the payment of damages. All rights reserved.



Note:
Accuracy of all angles is $\pm 2^\circ$

LENS R&D				General Tolerances		Material	
				ISO 2768-K		-	
				Surface Tolerances		Finish	
				DIN ISO 1302		-	
				Mass		Description	
				14,8 ± 1 gr		MAUS	
				Projection		Size	
						A2	
Drawn	2019-08-26	Name	AAN	Scale	3:1	Drawing Number	
Checked	2020-01-06	Name	CBE	Project Name			
Modified	2020-11-05	Name	JMU	MAUS		2	
Norm	-	Name	-	Project Number			of 5
Rel.level	Production	Project Number		114T000xx		Replaces: -	
						Derived from: -	

TOP VIEW D1



PIN 1 "All pins are female"

The copying, distribution and utilization of this document as well as the communication of its contents to others without expressed authorization is prohibited. Offenders will be held liable for the payment of damages. All rights reserved.

				General Tolerances		Material	
				ISO 2768-K		-	
				Surface Tolerances		Finish	
				DIN ISO 1302		-	
				Mass		Description	
				14,8 ± 1 gr		MAUS	
				Projection		Size	
						A2	
Drawn	2019-08-26	Name	AAN	Scale	3:1	Drawing Number	
Checked	2020-01-06	CBE		Project Name		114T70102	
Modified	2020-11-05	JMU		MAUS		Sheet 3	
Norm	-	-		Project Number		of 5	
Rel.level	Production			114T000xx		Replaces: -	
						Derived from: -	

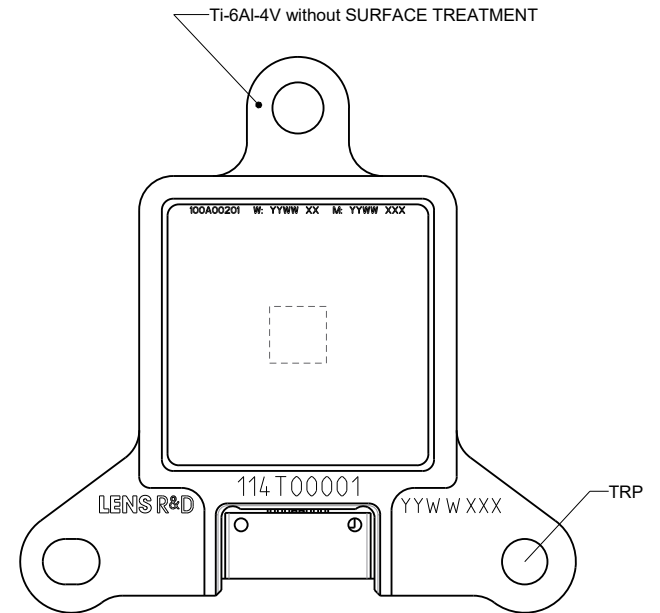
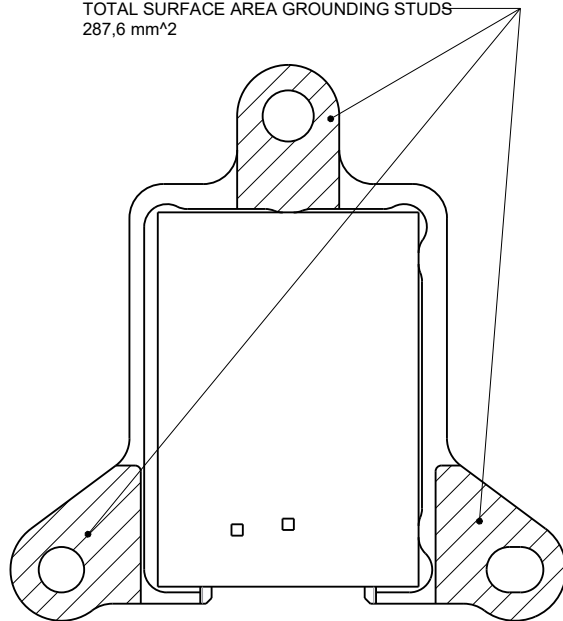
PRINCIPAL MOMENTS OF INERTIA WITH RESPECT TO
TEMPERATURE REFERENCE POINT COORDINATE SYSTEM (kg·mm²)

I_{xx} 5,84
I_{yy} 7,56
I_{zz} 13,24

PRINCIPAL MOMENTS OF INERTIA AT CENTER OF GRAVITY WITH RESPECT TO
TEMPERATURE REFERENCE POINT COORDINATE SYSTEM (kg·mm²)

I_{xx} 2,30
I_{yy} 1,61
I_{zz} 3,87

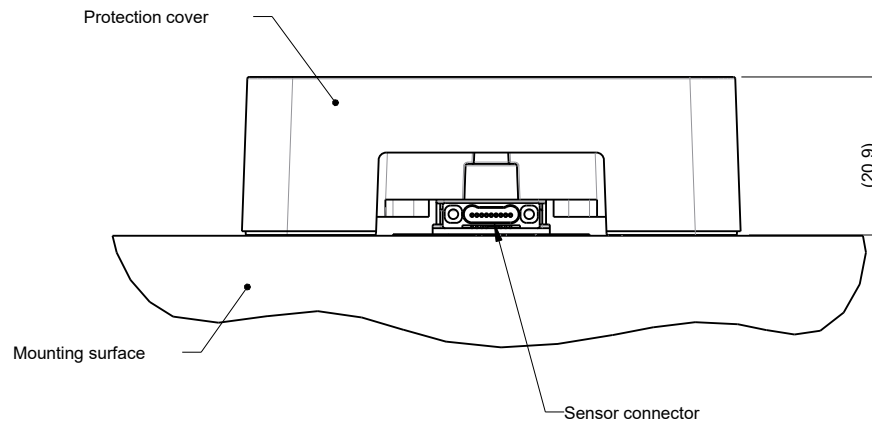
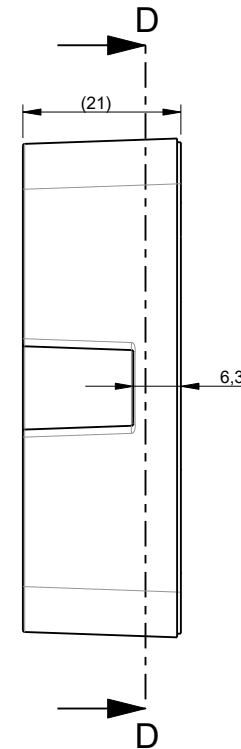
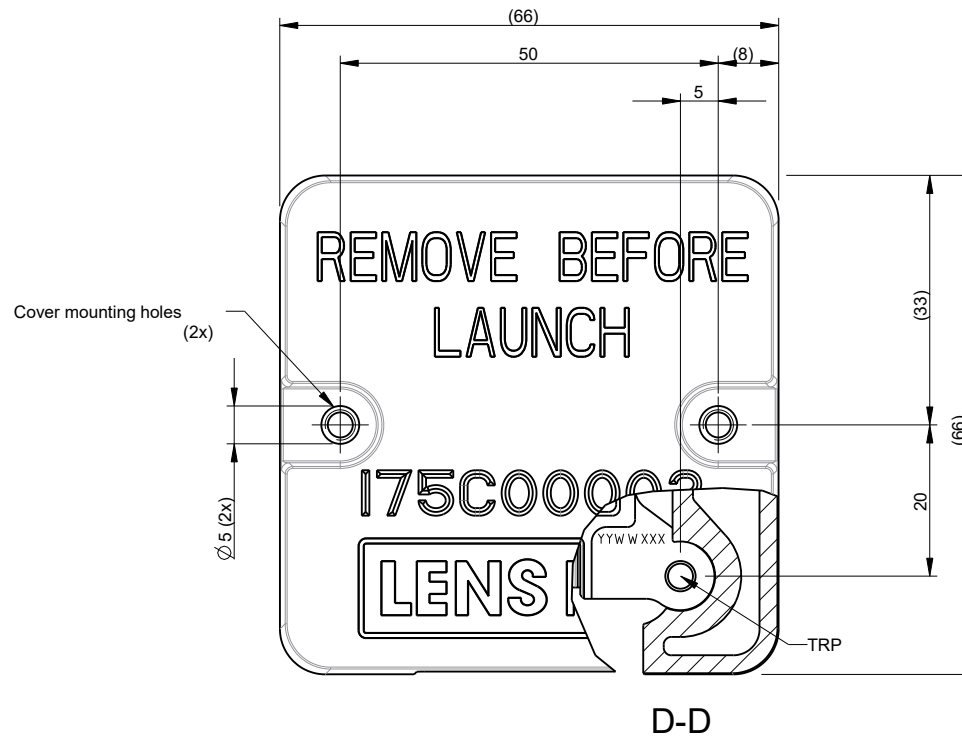
TOTAL SURFACE AREA GROUNDING STUDS
287,6 mm²



The copying, distribution and utilization of this document as well as the communication of its contents to others without expressed authorization is prohibited. Offenders will be held liable for the payment of damages. All rights reserved.

				General Tolerances		Material	
				ISO 2768-K		-	
				Surface Tolerances		Finish	
				DIN ISO 1302		-	
				Mass		Description	
				14,8 ± 1 gr		MAUS	
				Projection		IC-Drawing	
				A2			
Drawn	Date	Name	Scale	Project Name		Drawing Number	
	2019-08-26	AAN	3:1	MAUS		114T70102	
Checked	2020-01-06	CBE	Project Number		Sheet		
Modified	2020-11-05	JMU	114T000xx		4		
Norm	-	-			of 5		
Rel. level	Production					Replaces: - Derived from: -	

PROTECTION COVER MOUNTING DETAILS



BOTTOM VIEW

Note:
 Protection cover material: POM
 Protection cover is part of transportbox 175C00002
 and can be re-used to protect sensor before launch
 Use cover mounting holes as indicated in the drawing

				General Tolerances		Material	
				ISO 2768-K		-	
				Surface Tolerances		Finish	
				DIN ISO 1302		-	
				Mass		Description	
				-		MAUS	
				Projection		IC-Drawing	
				A2			
Drawn	2019-08-26	AAN	Scale	3:1		Drawing Number	
Checked	2020-01-06	CBE	Project Name		114T70102		Sheet
Modified	2020-11-05	JMU	MAUS				5
Norm	-	-	Project Number				of 5
Rel.level	Production		114T000xx		Replaces: -		Derived from: -

The copying, distribution and utilization of this document as well as the communication of its contents to others without expressed authorization is prohibited. Offenders will be held liable for the payment of damages. All rights reserved.