

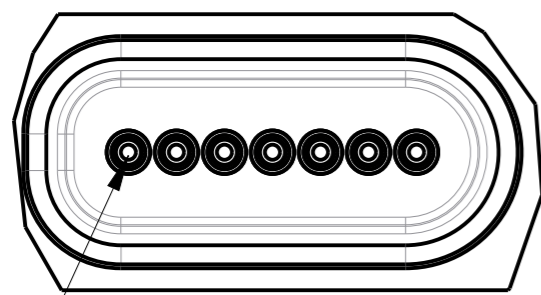
PRINCIPAL MOMENTS OF INERTIA AT CENTER OF GRAVITY: (kg * mm²)

INERTIA TENSOR:
 Ixx 1.65e-01
 Iyy 2.71e-01
 Izz 3.95e-01

SEE DETAIL A



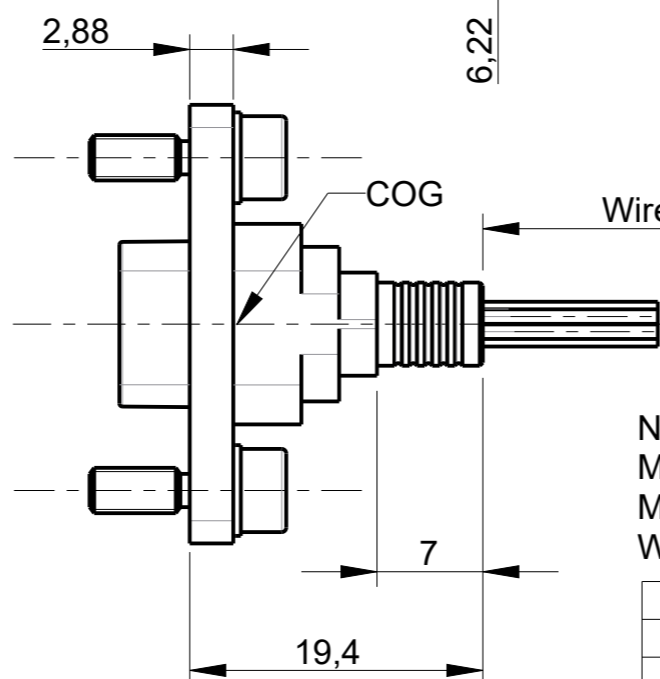
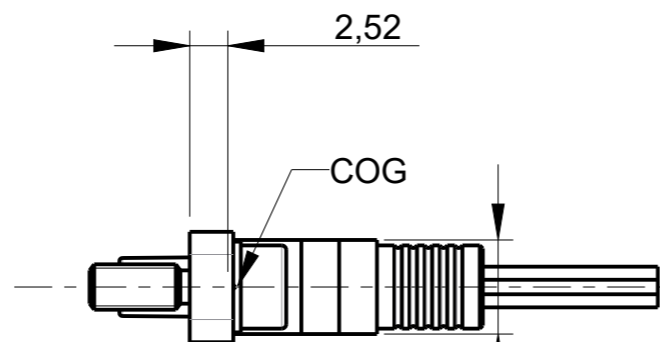
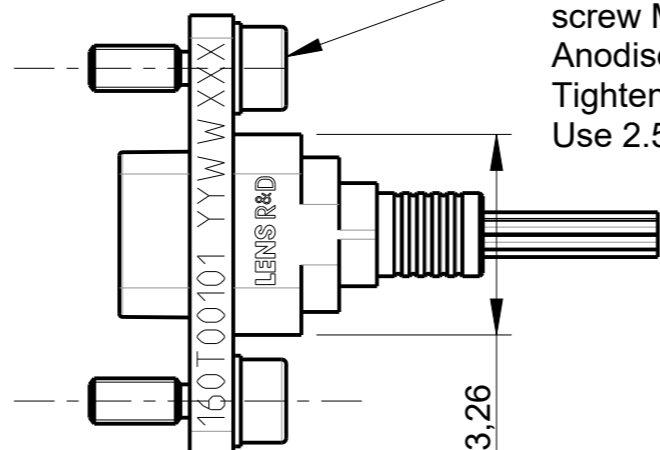
DETAIL A
SCALE 5:1



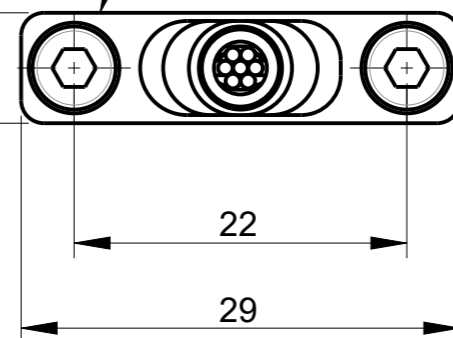
PIN 1, all pins are male

- Pin 1: Brown wire
- Pin 2: Red wire
- Pin 3: Orange wire
- Pin 4: Yellow wire
- Pin 5: Green wire
- Pin 6: Blue wire
- Pin 7: Violet wire

Non-losable hexagon socket head cap screw M3 with vented washer (2x).
 Anodised acc. to AMS 2488D type II.
 Tightening torque 1 Nm ±20%.
 Use 2.5mm hex key.



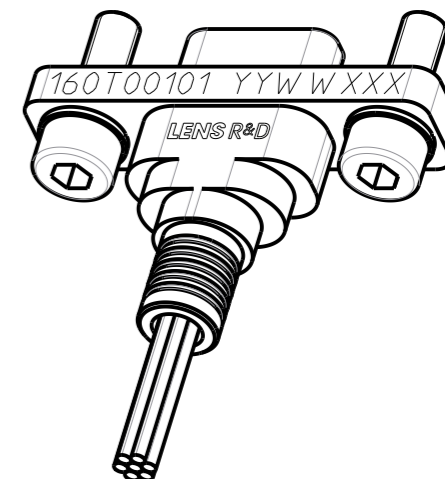
Ti-6Al-4V without SURFACE TREATMENT



Wire Length 1500 ± 150mm

Note:
 Mass of connector: 9,0 ± 1 g.
 Mass of the wires is 2 g/m per wire.
 Wires according to ESCC 3901 019 03 (AWG26)

				General Tolerances		Material	
				ISO 2768-fK		-	
				Surface Tolerances		Finish	
				DIN ISO 1302		-	
				Mass		Description	
				See note		Pigtail ET IC-drawing	
		Date	Name	Scale	Projection	Size	Drawing Number 160T70101 D
		24-01-19	ALIN	2:1		A3	
		24-01-19	JMU	Project Name Pigtail ET			
		04-03-21	JMU	Project Number 160T001xx			
		-	-	Project Number 160T001xx			
Rel. level		Production				Replaces: - Derived from: -	



The copying, distribution and utilization of this document as well as the communication of its contents to others without expressed authorization is prohibited. Offenders will be held liable for the payment of damages. All rights reserved.