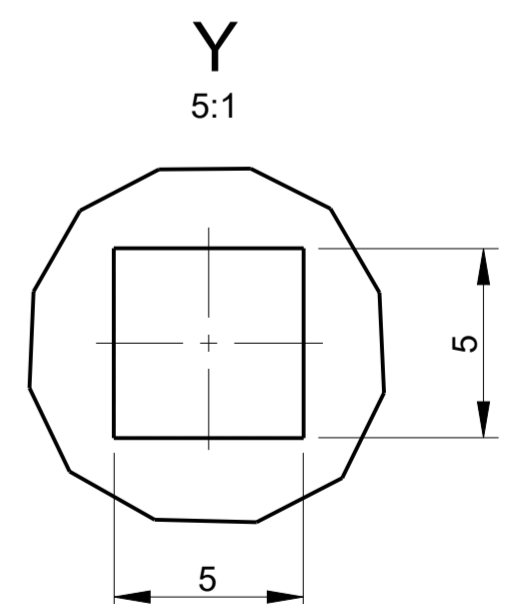
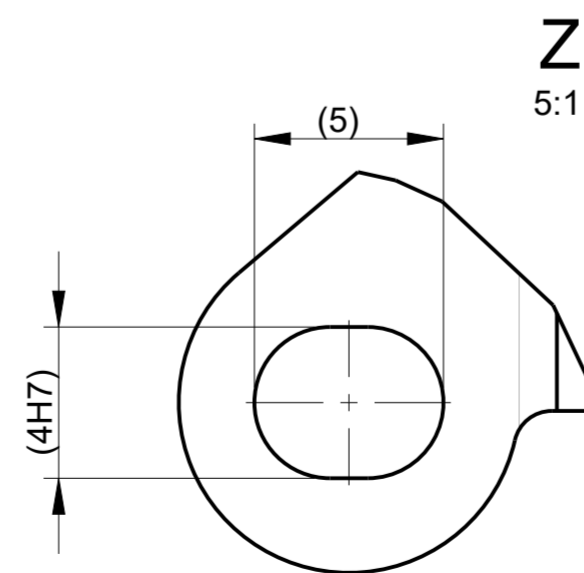
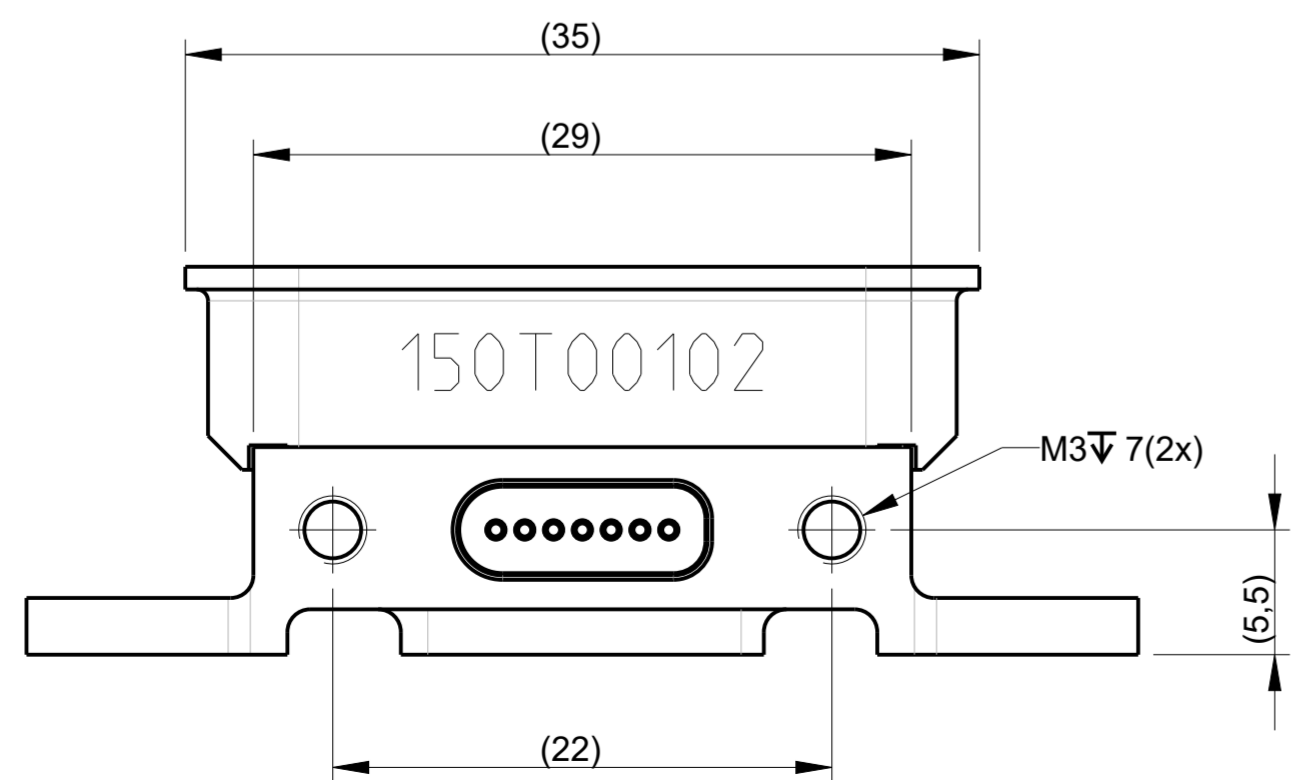
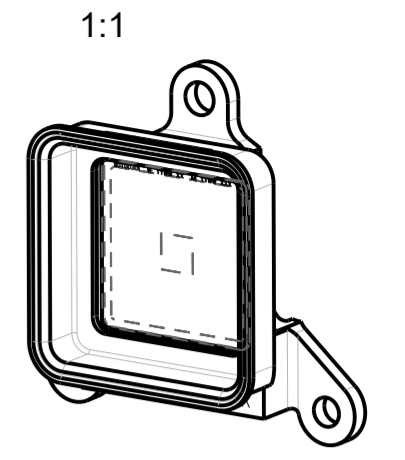
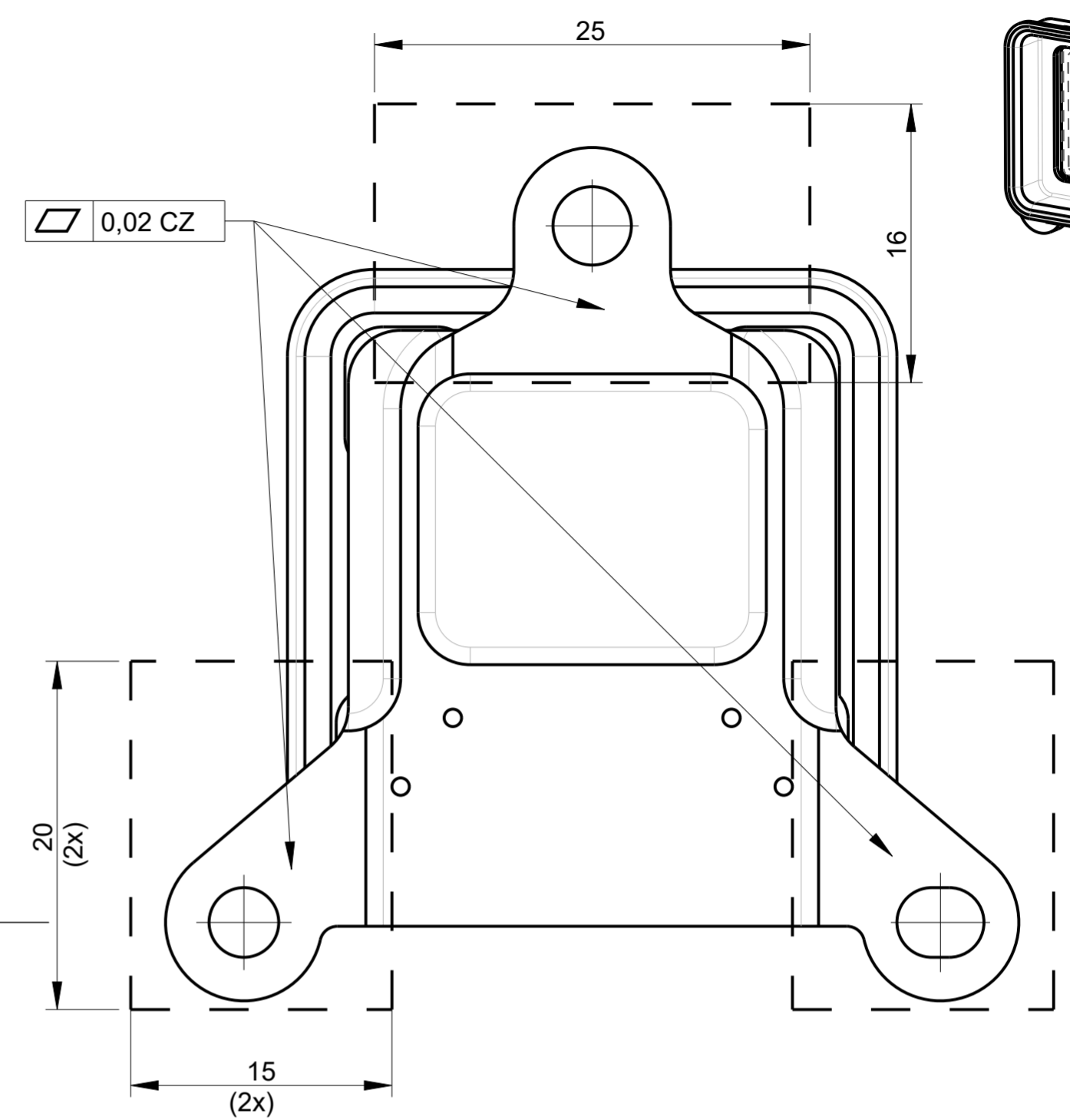
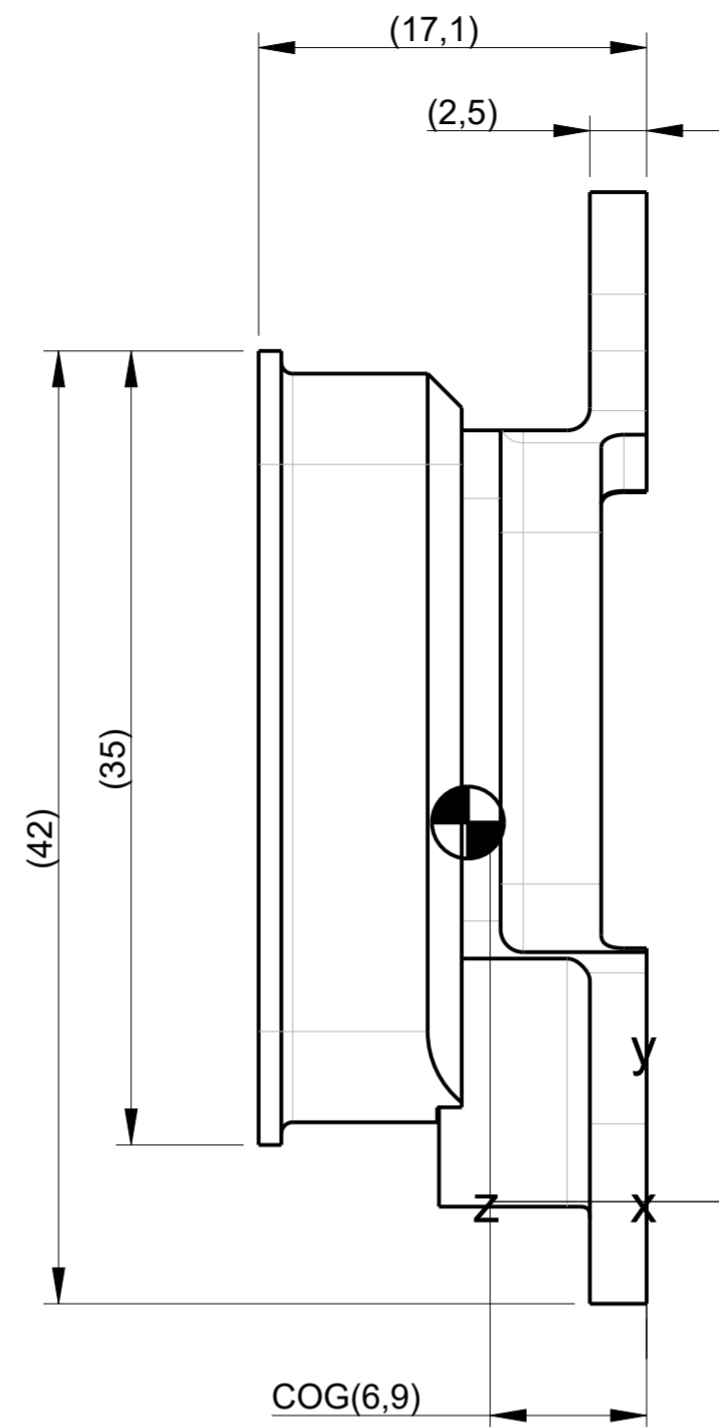
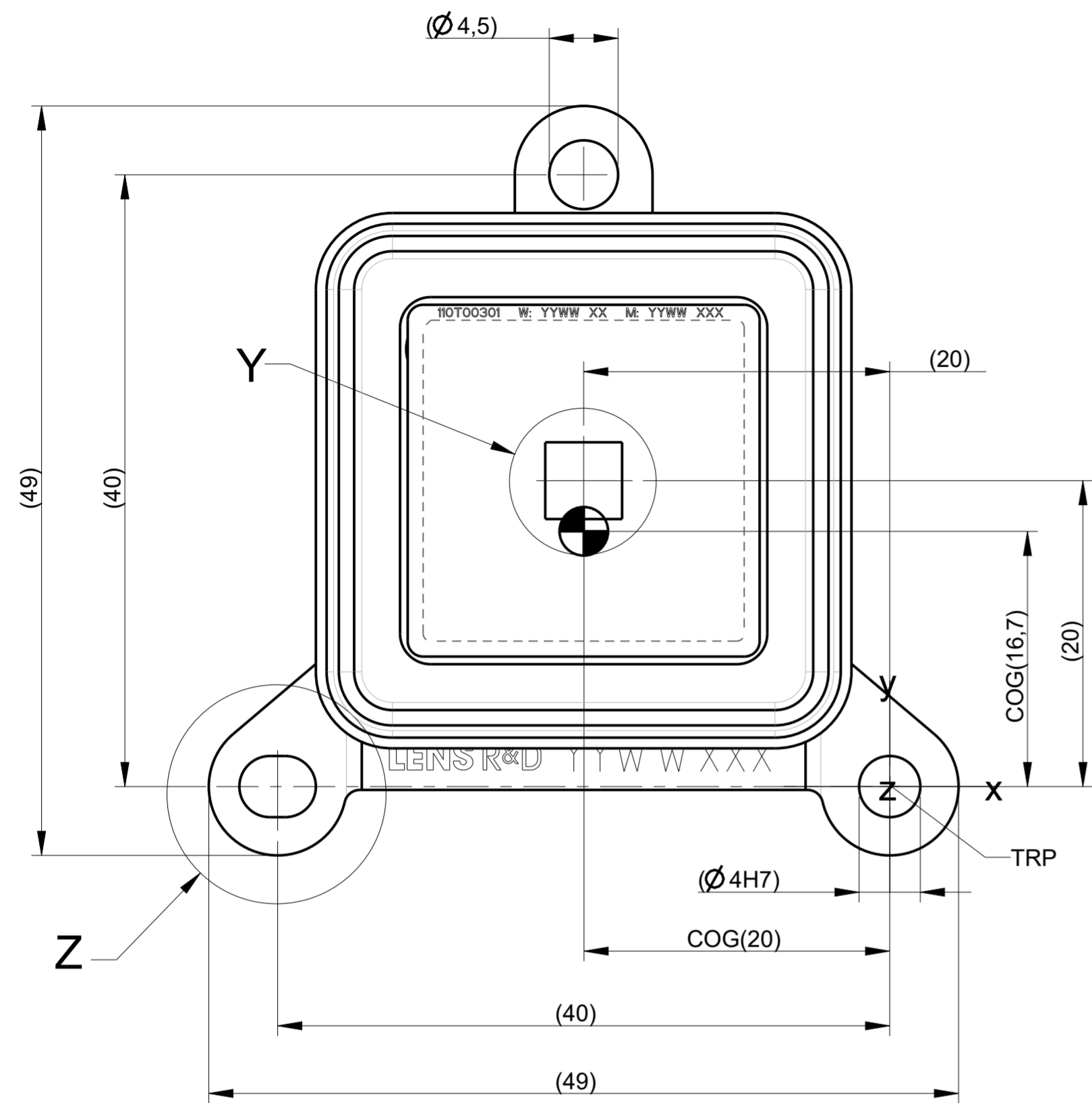


The copying, distribution and utilization of this document as well as the communication of its contents to others without expressed authorization is prohibited. Offenders will be held liable for the payment of damages. All rights reserved.



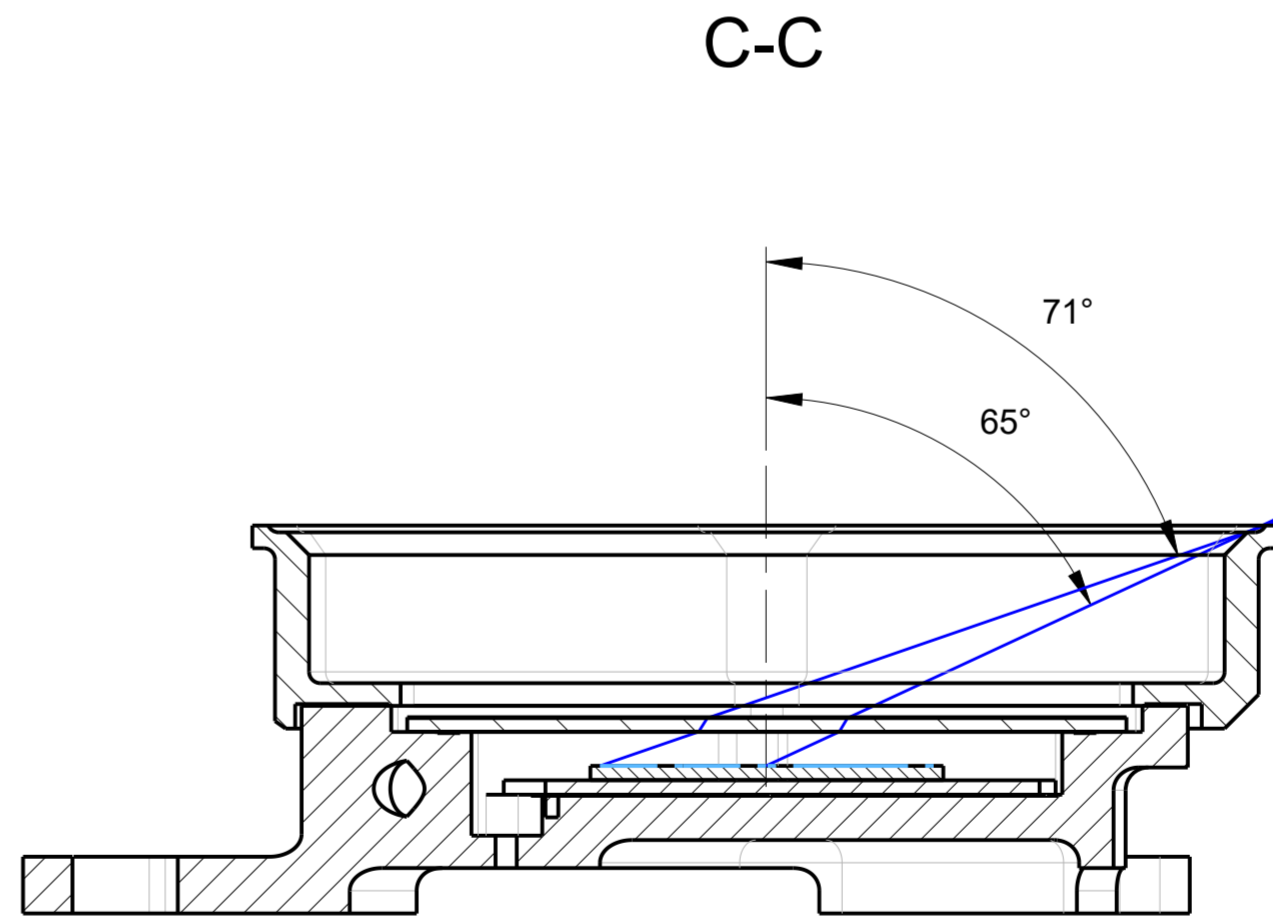
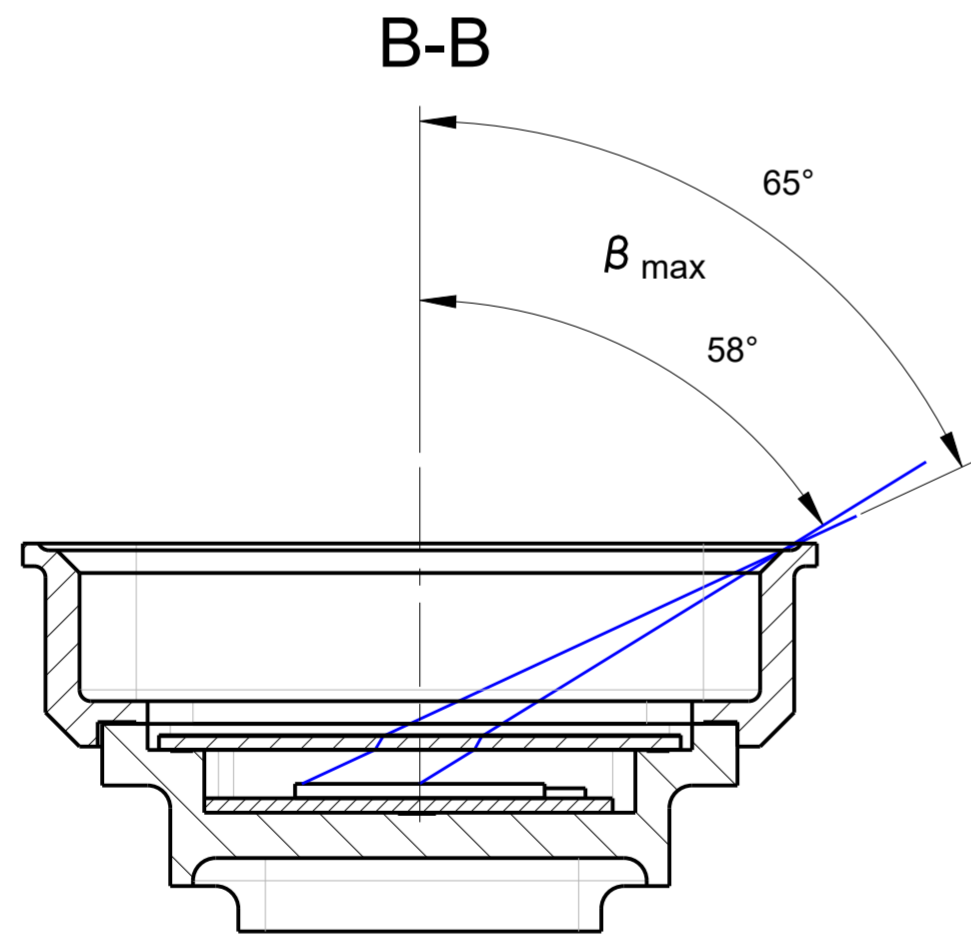
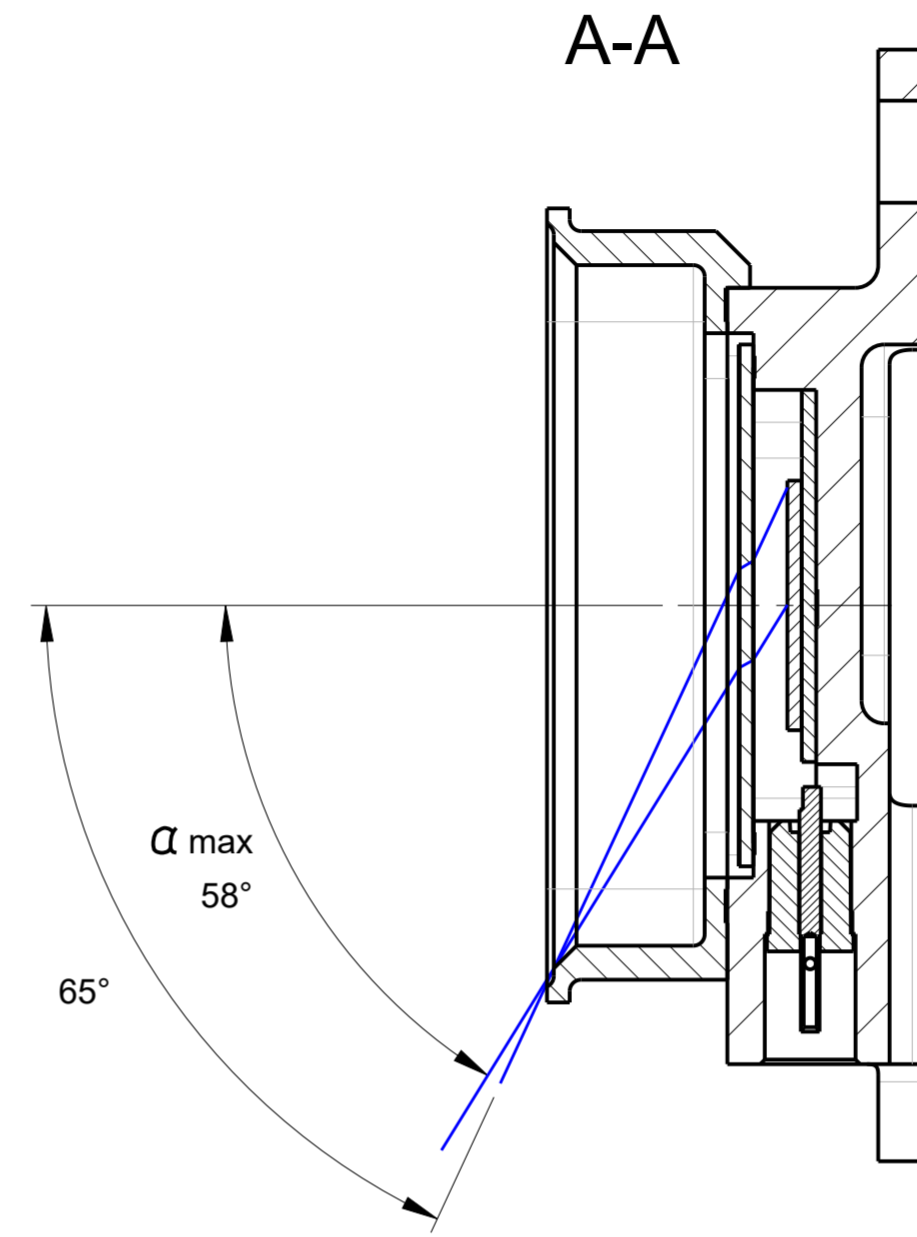
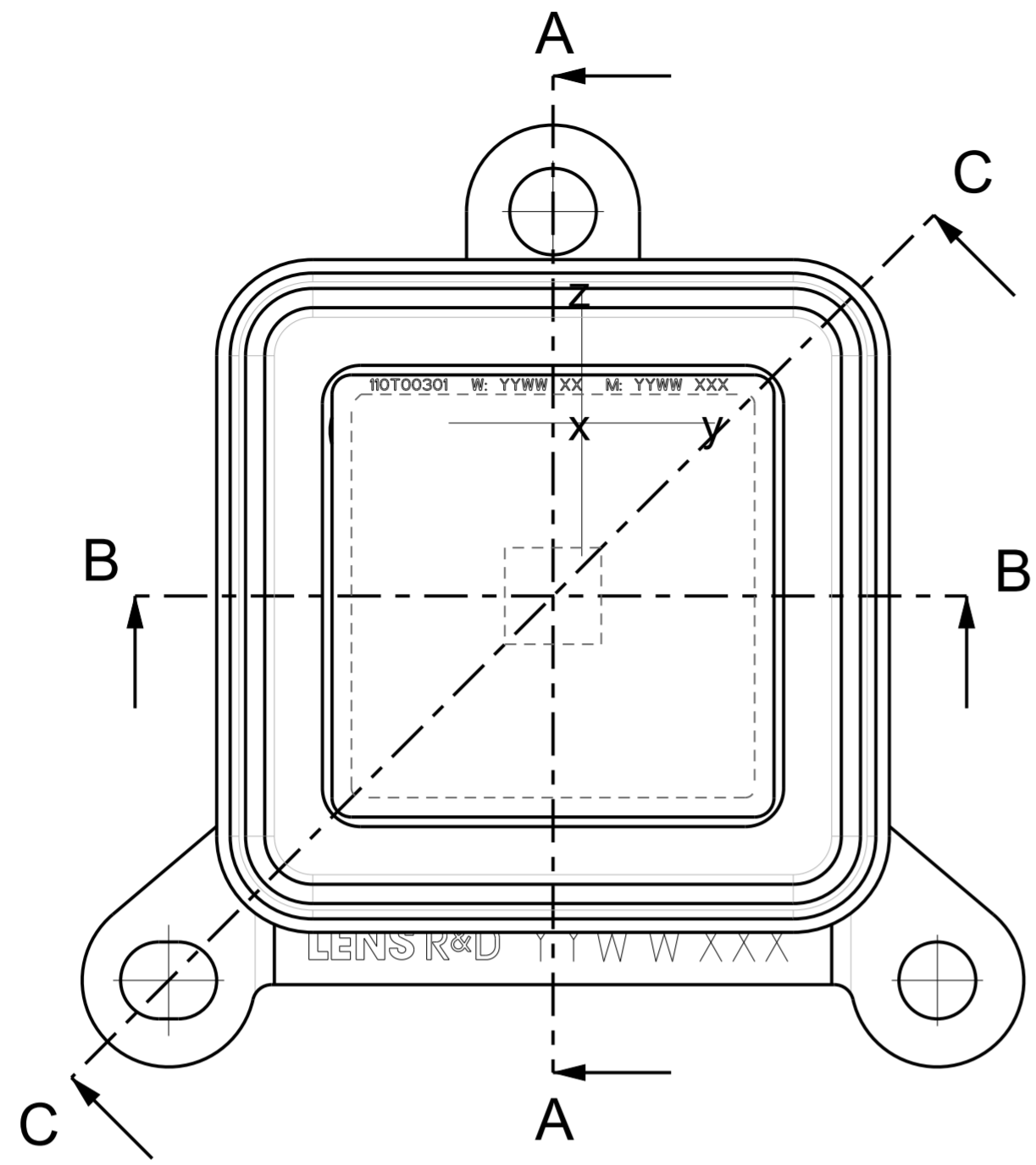
|   |     |     |  | General Tolerances |      | Material |            |      |          |     |     |  |    |          |     |  |              |  |  |  |             |  |              |  |  |  |              |  |                |  |  |  |                |  |           |  |  |  |           |  |           |  |  |  |             |  |            |  |  |  |                 |  |                    |  |        |  |
|---|-----|-----|--|--------------------|------|----------|------------|------|----------|-----|-----|--|----|----------|-----|--|--------------|--|--|--|-------------|--|--------------|--|--|--|--------------|--|----------------|--|--|--|----------------|--|-----------|--|--|--|-----------|--|-----------|--|--|--|-------------|--|------------|--|--|--|-----------------|--|--------------------|--|--------|--|
|   |     |     |  | ISO 2768-fK        |      | -        |            |      |          |     |     |  |    |          |     |  |              |  |  |  |             |  |              |  |  |  |              |  |                |  |  |  |                |  |           |  |  |  |           |  |           |  |  |  |             |  |            |  |  |  |                 |  |                    |  |        |  |
| <table border="1"> <tr> <th>Date</th> <th>Name</th> <th>Scale</th> <th>Projection</th> <th>Size</th> </tr> <tr> <td>08-06-21</td> <td>AAN</td> <td>3:1</td> <td rowspan="2"> </td> <td rowspan="2">A2</td> </tr> <tr> <td>14-06-21</td> <td>JLS</td> <td></td> </tr> <tr> <td colspan="4">Project Name</td> <td colspan="2">Description</td> </tr> <tr> <td colspan="4">BiSon64-ET-B</td> <td colspan="2">BiSon64-ET-B</td> </tr> <tr> <td colspan="4">Project Number</td> <td colspan="2">Drawing Number</td> </tr> <tr> <td colspan="4">150T001xx</td> <td colspan="2">150T70105</td> </tr> <tr> <td colspan="4">Rel.level</td> <td colspan="2">Replaces: -</td> </tr> <tr> <td colspan="4">Production</td> <td colspan="2">Derived from: -</td> </tr> </table> |     |     |  | Date               | Name | Scale    | Projection | Size | 08-06-21 | AAN | 3:1 |  | A2 | 14-06-21 | JLS |  | Project Name |  |  |  | Description |  | BiSon64-ET-B |  |  |  | BiSon64-ET-B |  | Project Number |  |  |  | Drawing Number |  | 150T001xx |  |  |  | 150T70105 |  | Rel.level |  |  |  | Replaces: - |  | Production |  |  |  | Derived from: - |  | Surface Tolerances |  | Finish |  |
|   |     |     |  | Date               | Name | Scale    | Projection | Size |          |     |     |  |    |          |     |  |              |  |  |  |             |  |              |  |  |  |              |  |                |  |  |  |                |  |           |  |  |  |           |  |           |  |  |  |             |  |            |  |  |  |                 |  |                    |  |        |  |
| 08-06-21  | AAN | 3:1 |  | A2                 |      |          |            |      |          |     |     |  |    |          |     |  |              |  |  |  |             |  |              |  |  |  |              |  |                |  |  |  |                |  |           |  |  |  |           |  |           |  |  |  |             |  |            |  |  |  |                 |  |                    |  |        |  |
| 14-06-21  | JLS |     |  |                    |      |          |            |      |          |     |     |  |    |          |     |  |              |  |  |  |             |  |              |  |  |  |              |  |                |  |  |  |                |  |           |  |  |  |           |  |           |  |  |  |             |  |            |  |  |  |                 |  |                    |  |        |  |
| Project Name  |     |     |  | Description        |      |          |            |      |          |     |     |  |    |          |     |  |              |  |  |  |             |  |              |  |  |  |              |  |                |  |  |  |                |  |           |  |  |  |           |  |           |  |  |  |             |  |            |  |  |  |                 |  |                    |  |        |  |
| BiSon64-ET-B  |     |     |  | BiSon64-ET-B       |      |          |            |      |          |     |     |  |    |          |     |  |              |  |  |  |             |  |              |  |  |  |              |  |                |  |  |  |                |  |           |  |  |  |           |  |           |  |  |  |             |  |            |  |  |  |                 |  |                    |  |        |  |
| Project Number  |     |     |  | Drawing Number     |      |          |            |      |          |     |     |  |    |          |     |  |              |  |  |  |             |  |              |  |  |  |              |  |                |  |  |  |                |  |           |  |  |  |           |  |           |  |  |  |             |  |            |  |  |  |                 |  |                    |  |        |  |
| 150T001xx   |     |     |  | 150T70105          |      |          |            |      |          |     |     |  |    |          |     |  |              |  |  |  |             |  |              |  |  |  |              |  |                |  |  |  |                |  |           |  |  |  |           |  |           |  |  |  |             |  |            |  |  |  |                 |  |                    |  |        |  |
| Rel.level   |     |     |  | Replaces: -        |      |          |            |      |          |     |     |  |    |          |     |  |              |  |  |  |             |  |              |  |  |  |              |  |                |  |  |  |                |  |           |  |  |  |           |  |           |  |  |  |             |  |            |  |  |  |                 |  |                    |  |        |  |
| Production  |     |     |  | Derived from: -    |      |          |            |      |          |     |     |  |    |          |     |  |              |  |  |  |             |  |              |  |  |  |              |  |                |  |  |  |                |  |           |  |  |  |           |  |           |  |  |  |             |  |            |  |  |  |                 |  |                    |  |        |  |
| DIN ISO 1302  |     | -   |  |                    |      |          |            |      |          |     |     |  |    |          |     |  |              |  |  |  |             |  |              |  |  |  |              |  |                |  |  |  |                |  |           |  |  |  |           |  |           |  |  |  |             |  |            |  |  |  |                 |  |                    |  |        |  |
| Mass  |     |     |  | Description        |      |          |            |      |          |     |     |  |    |          |     |  |              |  |  |  |             |  |              |  |  |  |              |  |                |  |  |  |                |  |           |  |  |  |           |  |           |  |  |  |             |  |            |  |  |  |                 |  |                    |  |        |  |
| $31,0 \pm 2 \text{ g}$  |     |     |  | BiSon64-ET-B       |      |          |            |      |          |     |     |  |    |          |     |  |              |  |  |  |             |  |              |  |  |  |              |  |                |  |  |  |                |  |           |  |  |  |           |  |           |  |  |  |             |  |            |  |  |  |                 |  |                    |  |        |  |
|   |     |     |  | IC-Drawing         |      |          |            |      |          |     |     |  |    |          |     |  |              |  |  |  |             |  |              |  |  |  |              |  |                |  |  |  |                |  |           |  |  |  |           |  |           |  |  |  |             |  |            |  |  |  |                 |  |                    |  |        |  |
|   |     |     |  | Drawing Number     |      |          |            |      |          |     |     |  |    |          |     |  |              |  |  |  |             |  |              |  |  |  |              |  |                |  |  |  |                |  |           |  |  |  |           |  |           |  |  |  |             |  |            |  |  |  |                 |  |                    |  |        |  |
|   |     |     |  | 150T70105          |      |          |            |      |          |     |     |  |    |          |     |  |              |  |  |  |             |  |              |  |  |  |              |  |                |  |  |  |                |  |           |  |  |  |           |  |           |  |  |  |             |  |            |  |  |  |                 |  |                    |  |        |  |
|   |     |     |  | Replaces: -        |      |          |            |      |          |     |     |  |    |          |     |  |              |  |  |  |             |  |              |  |  |  |              |  |                |  |  |  |                |  |           |  |  |  |           |  |           |  |  |  |             |  |            |  |  |  |                 |  |                    |  |        |  |
|   |     |     |  | Derived from: -    |      |          |            |      |          |     |     |  |    |          |     |  |              |  |  |  |             |  |              |  |  |  |              |  |                |  |  |  |                |  |           |  |  |  |           |  |           |  |  |  |             |  |            |  |  |  |                 |  |                    |  |        |  |

A  
B  
C  
D  
E  
F  
G  
H  
I  
J

1 2 3 4 5 6 7 8 9 10 11 12 13 14

1 2 3 4 5 6 7 8 9 10 11 12 13 14

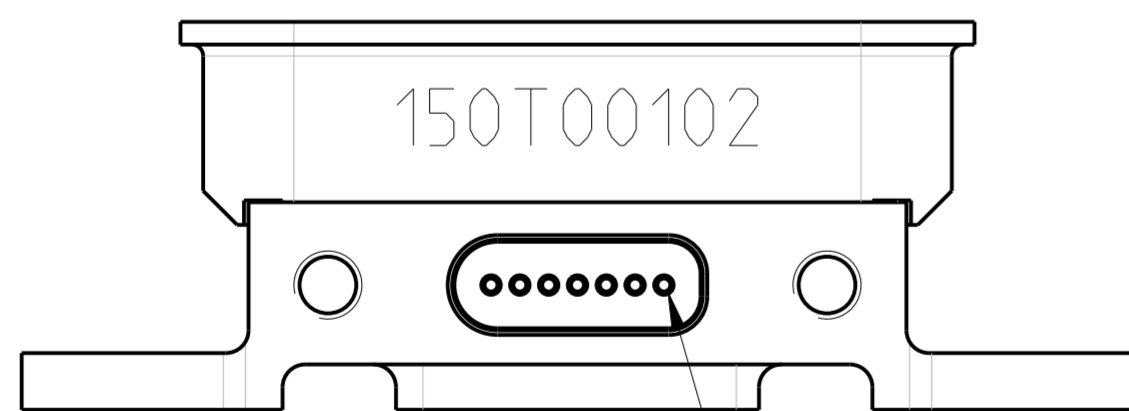
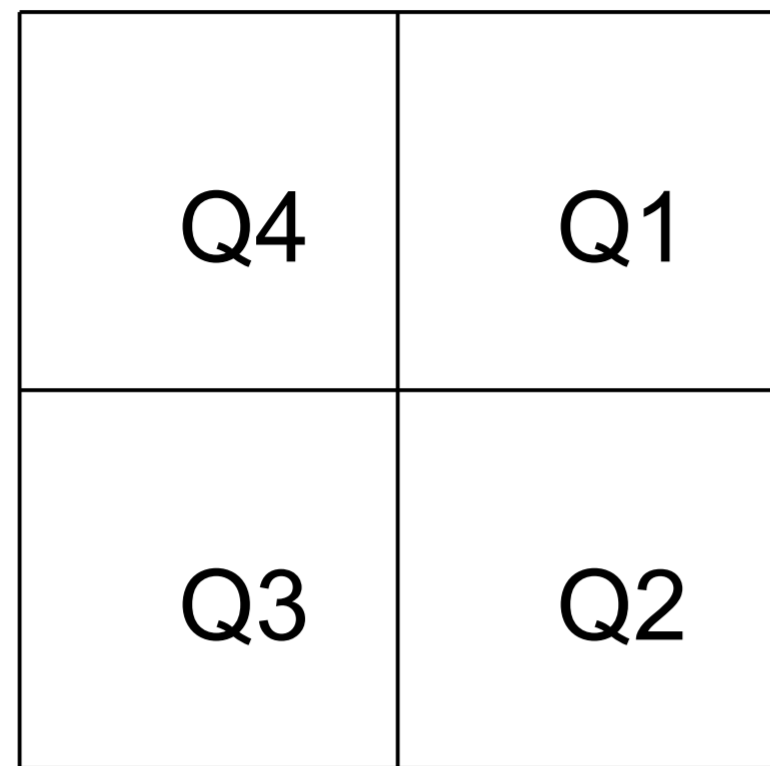
The copying, distribution and utilization of this document as well as the communication of its contents to others without expressed authorization is prohibited. Offenders will be held liable for the payment of damages. All rights reserved.



Note:  
Accuracy of all indicated angles  $\pm 2^\circ$ .

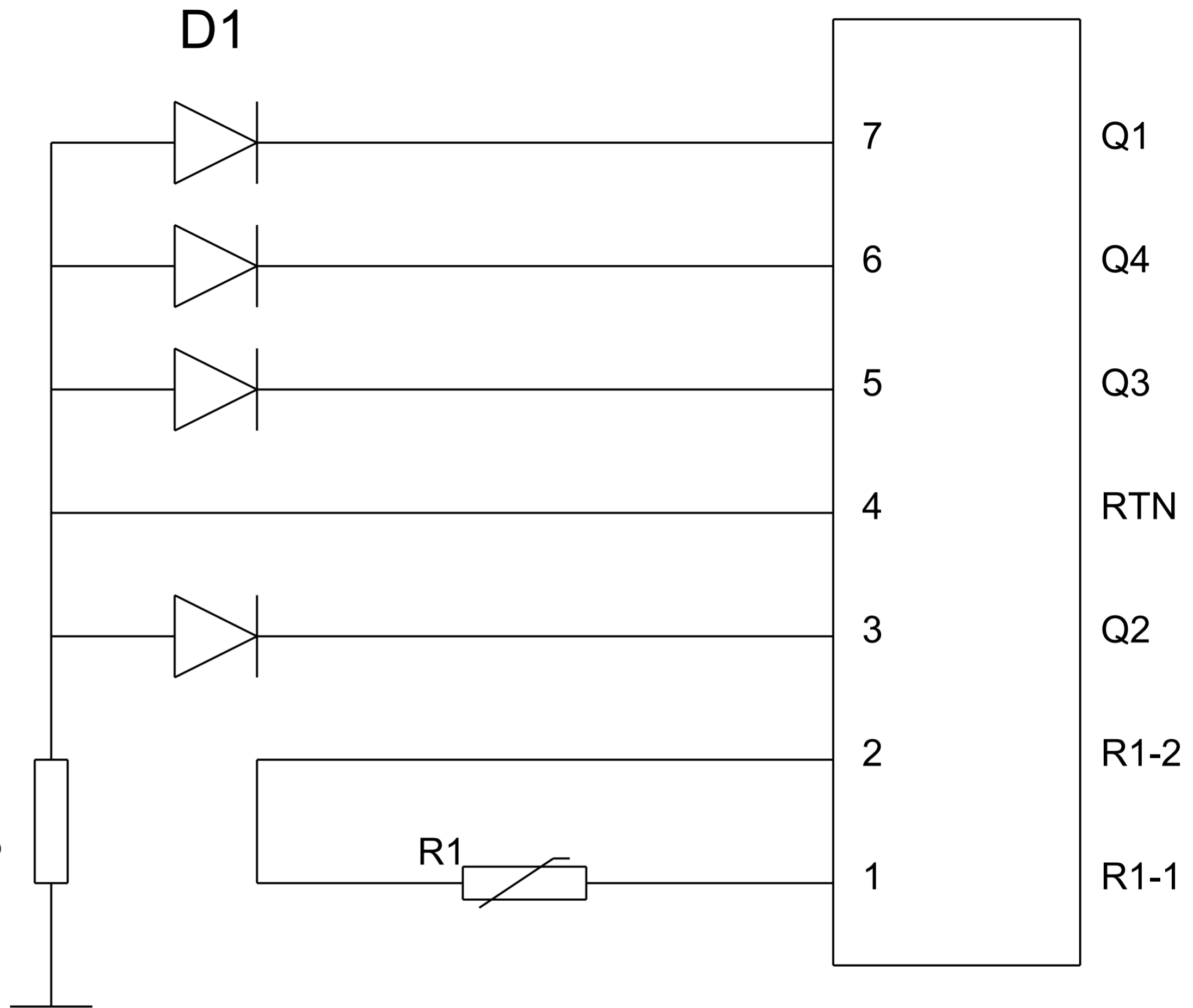
|                     |          |      |     |                    |              |                            |                 |
|---------------------|----------|------|-----|--------------------|--------------|----------------------------|-----------------|
| <b>LENS R&amp;D</b> |          |      |     | General Tolerances |              | Material                   |                 |
|                     |          |      |     | ISO 2768-fK        |              | -                          |                 |
|                     |          |      |     | Surface Tolerances |              | Finish                     |                 |
|                     |          |      |     | DIN ISO 1302       |              | -                          |                 |
|                     |          |      |     | Mass               |              | Description                |                 |
|                     |          |      |     | 31,0 ± 2 g         |              | BiSon64-ET-B<br>IC-Drawing |                 |
| Drawn               | 08-06-21 | Name | AAN | Scale              | 3:1          | Projection                 | A2              |
| Checked             | 14-06-21 | JLS  |     | Project Name       | BiSon64-ET-B | Drawing Number             |                 |
| Modified            | 11-03-22 | AAN  |     | Project Number     | 150T001xx    | 150T70105                  |                 |
| Norm                | -        | -    |     | Rel.level          | Production   | Replaces: -                | Derived from: - |

TOP VIEW D1



PIN 1 of J1 "All pins are female"

R2  
1,2MΩ ±10%



The copying, distribution and utilization of this document as well as the communication of its contents to others without expressed authorization is prohibited. Offenders will be held liable for the payment of damages. All rights reserved.

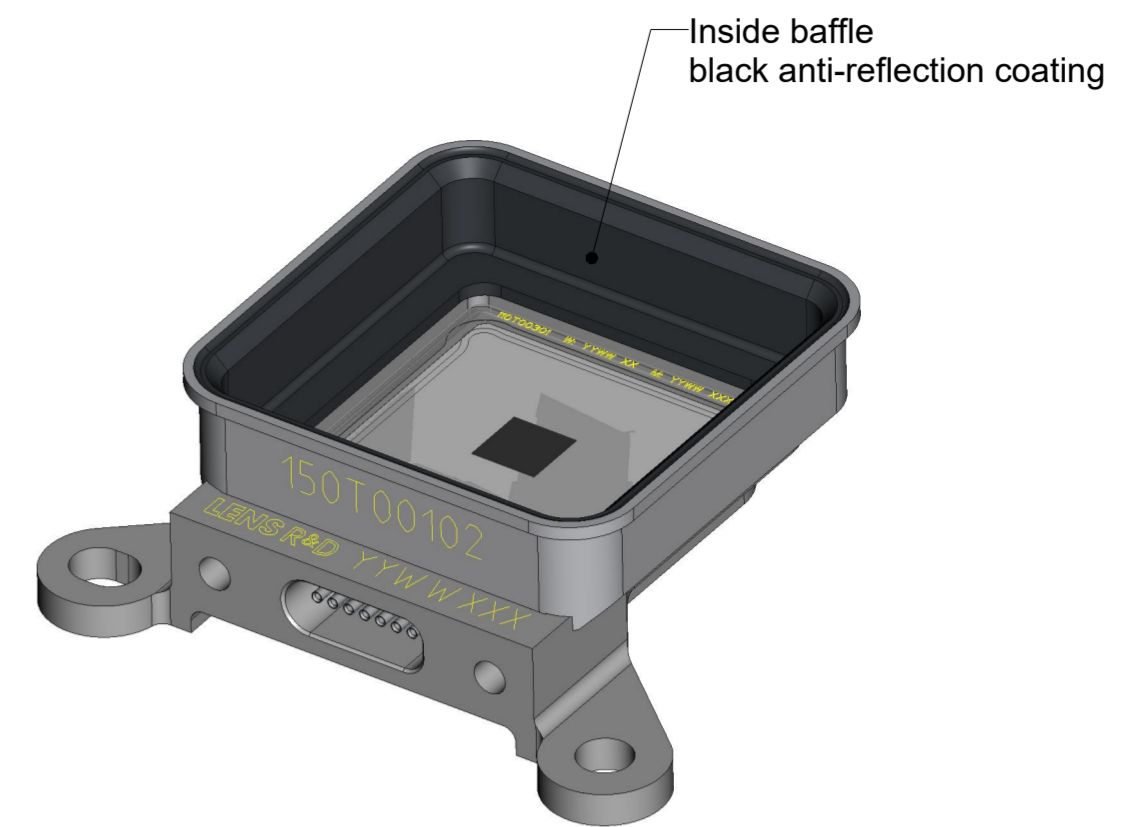
|           |            |      |                |                    |             |                |                 |
|-----------|------------|------|----------------|--------------------|-------------|----------------|-----------------|
|           |            |      |                | General Tolerances |             | Material       |                 |
|           |            |      |                | ISO 2768-fK        |             |                |                 |
|           |            |      |                | Surface Tolerances |             | Finish         |                 |
|           |            |      |                | DIN ISO 1302       |             | -              |                 |
|           |            |      |                | Mass               |             | Description    |                 |
|           |            |      |                | 31,0 ±2 g          |             | BiSon64-ET-B   |                 |
|           |            |      |                | Projection         |             | IC-Drawing     |                 |
|           |            |      |                | A2                 |             |                |                 |
| Drawn     | Date       | Name | Scale          | Project Name       |             | Drawing Number |                 |
|           | 08-06-21   | AAN  | 3:1            | BiSon64-ET-B       |             | 150T70105      |                 |
| Checked   | 14-06-21   | JLS  | Project Number |                    | Sheet       |                |                 |
| Modified  | 11-03-22   | AAN  | 150T001xx      |                    | 3           |                |                 |
| Norm      | -          | -    |                |                    | of 5        |                |                 |
| Rel.level | Production |      |                |                    | Replaces: - |                | Derived from: - |

PRINCIPAL MOMENTS OF INERTIA WITH RESPECT TO  
TEMPERATURE REFERENCE POINT COORDINATE SYSTEM (kg·mm<sup>2</sup>)

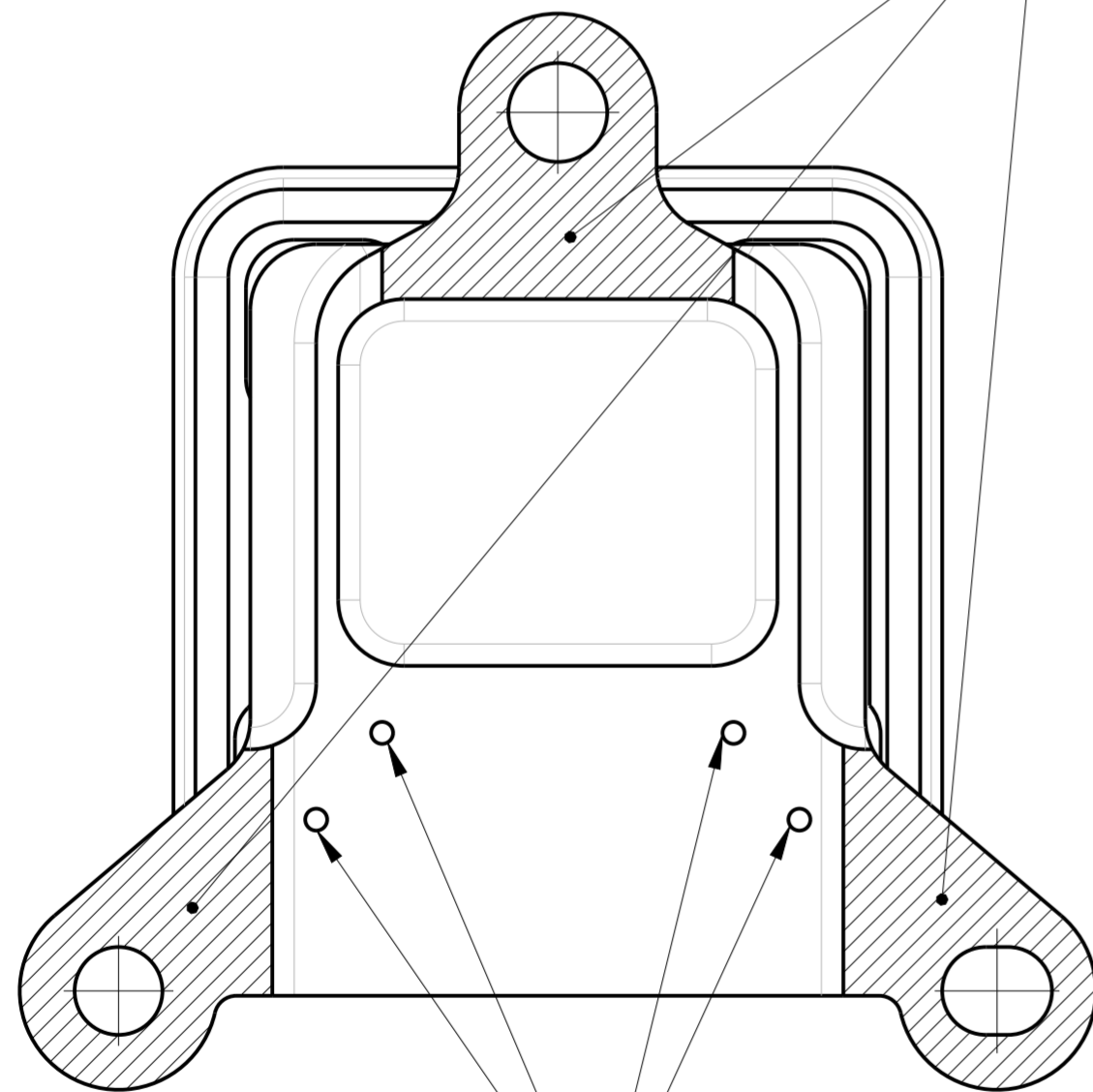
lxx 1.50e+01  
lyy 1.76e+01  
lzz 2.87e+01

PRINCIPAL MOMENTS OF INERTIA AT CENTER OF GRAVITY WITH RESPECT TO  
TEMPERATURE REFERENCE POINT COORDINATE SYSTEM (kg·mm<sup>2</sup>)

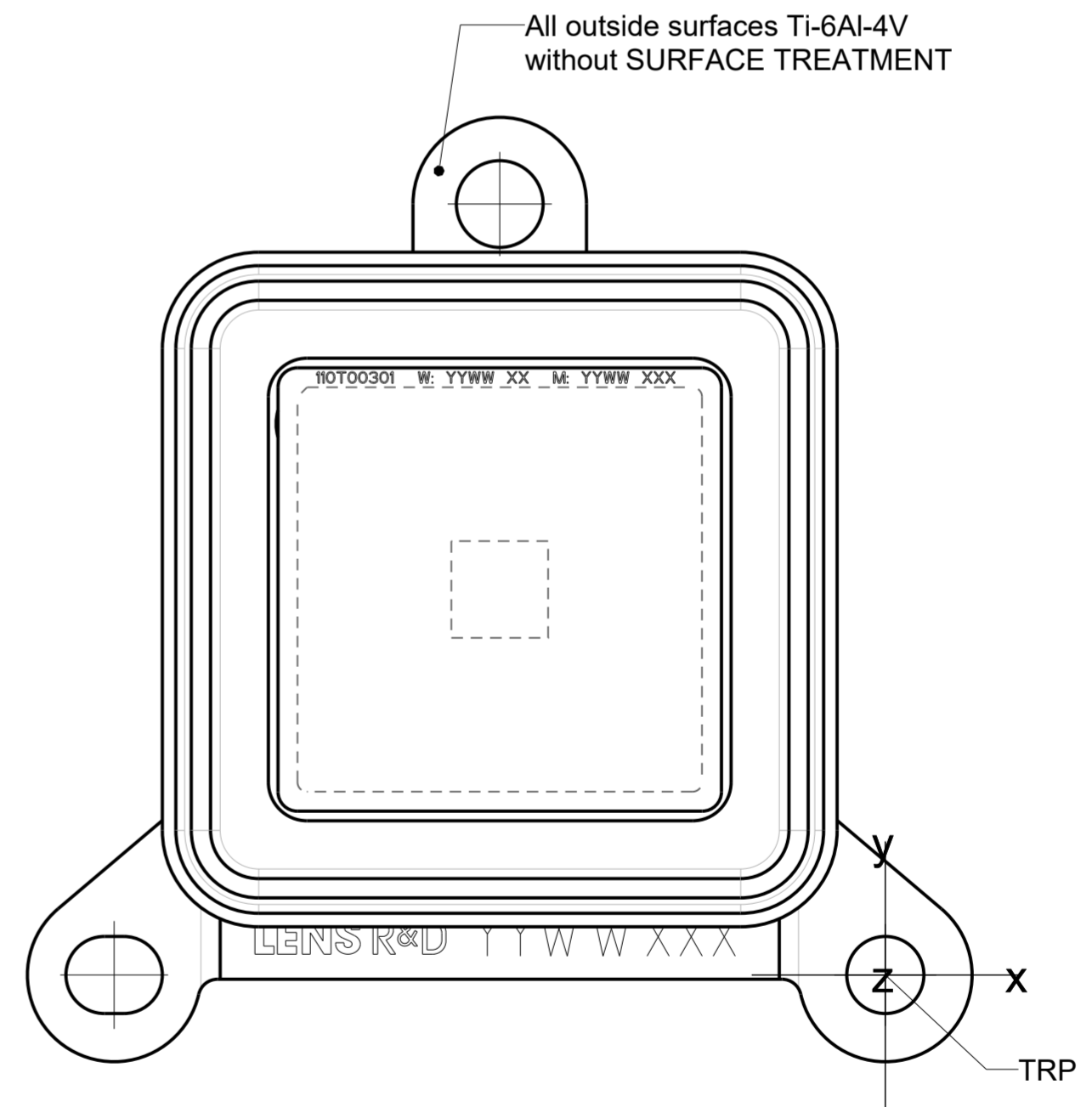
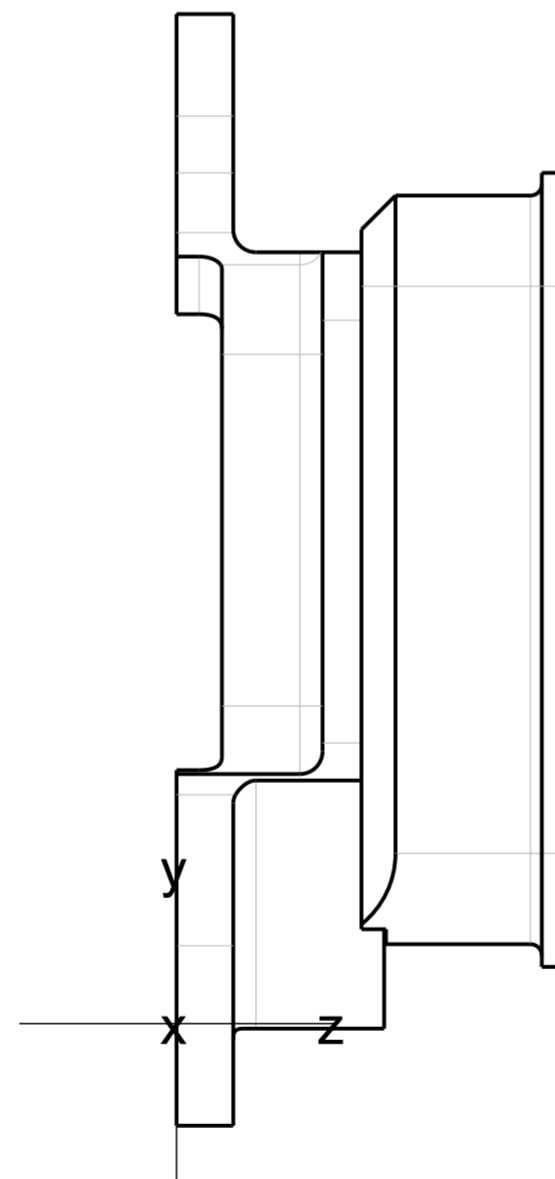
lxx 4.98e+00  
lyy 3.83e+00  
lzz 7.77e+00



TOTAL MOUNTING FEET CONTACT AREA 311 ± 10 mm<sup>2</sup>



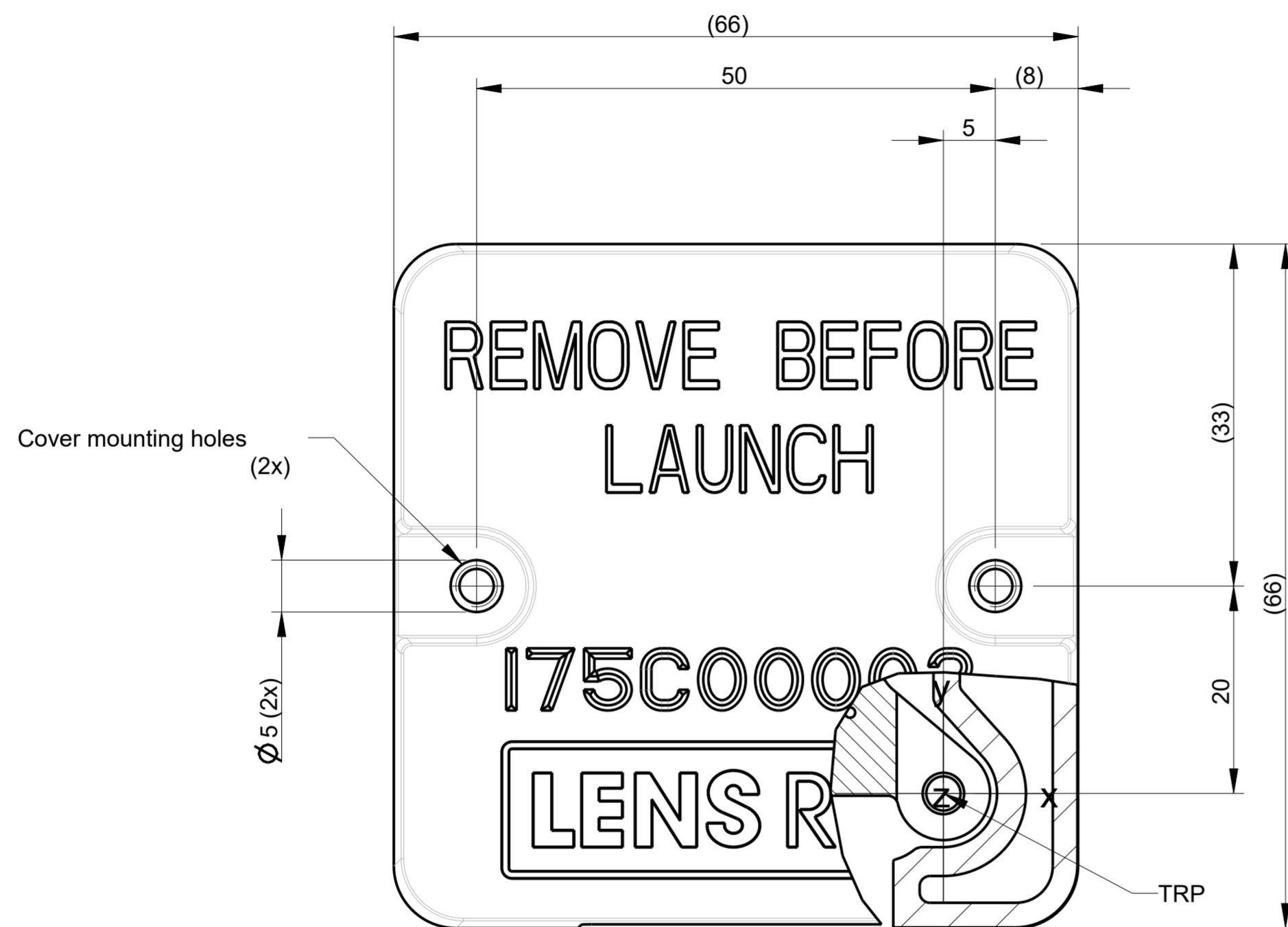
Venting holes



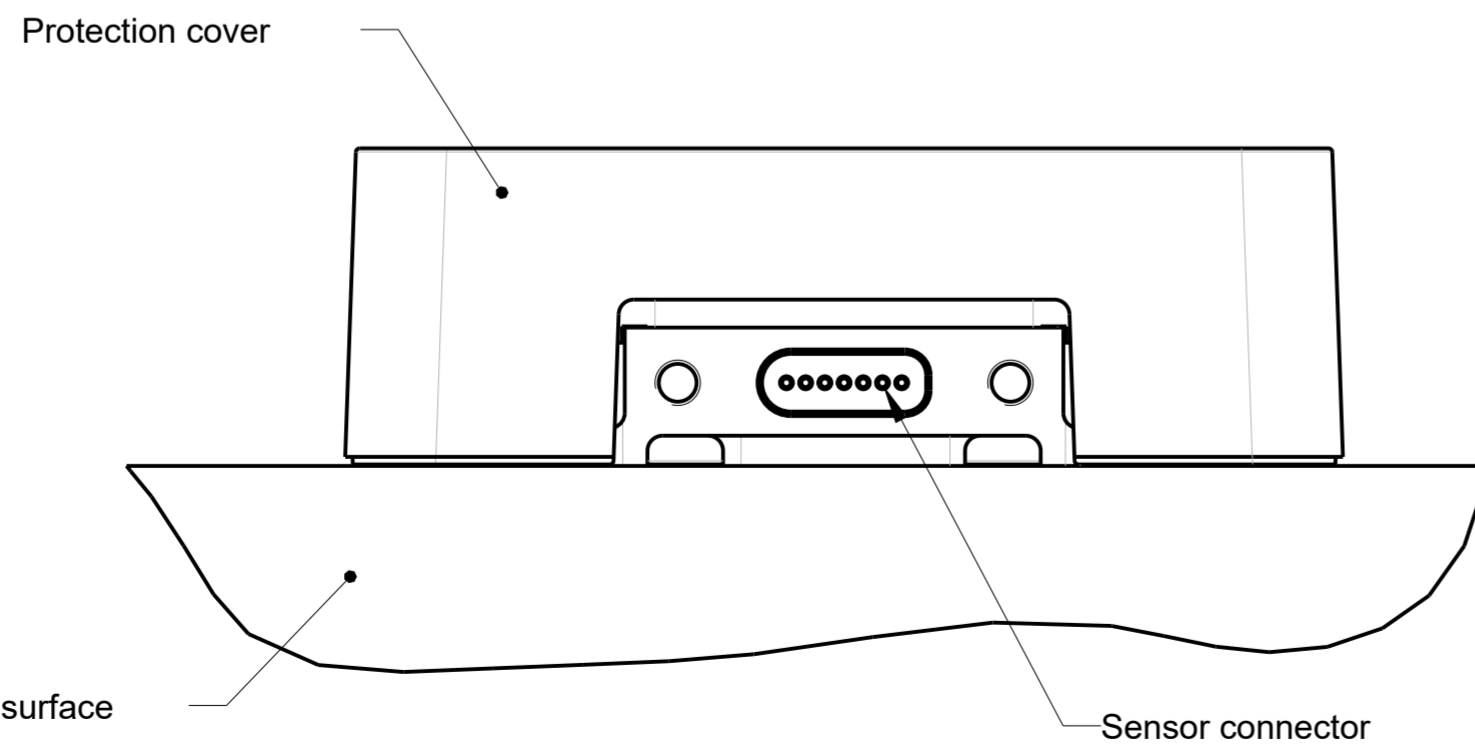
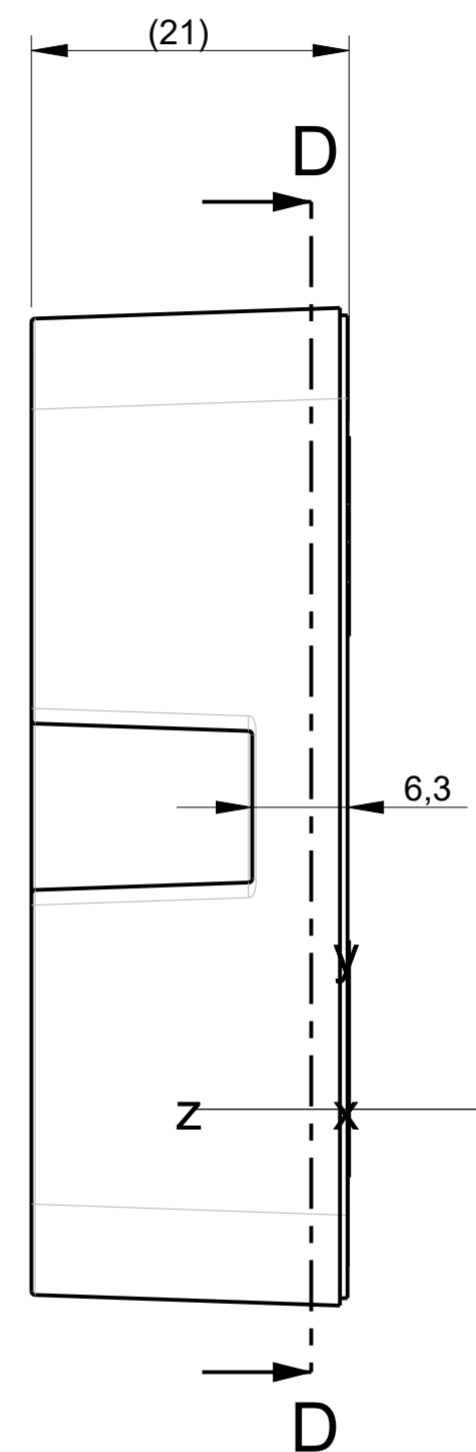
|                     |            |           |                |                    |       |                            |  |
|---------------------|------------|-----------|----------------|--------------------|-------|----------------------------|--|
| <b>LENS R&amp;D</b> |            |           |                | General Tolerances |       | Material                   |  |
|                     |            |           |                | ISO 2768-fK        |       | -                          |  |
|                     |            |           |                | Surface Tolerances |       | Finish                     |  |
|                     |            |           |                | DIN ISO 1302       |       | -                          |  |
|                     |            |           |                | Mass               |       | Description                |  |
|                     |            |           |                | 31,0 ± 2 g         |       | BiSon64-ET-B<br>IC-Drawing |  |
| Drawn               | Date       | Name      | Scale          | Projection         | Size  | Drawing Number             |  |
|                     | 08-06-21   | AAN       | 3:1            |                    | A2    | 150T70105                  |  |
| Checked             | 14-06-21   | JLS       | Project Name   |                    | Sheet |                            |  |
| Modified            | 11-03-22   | AAN       | BiSon64-ET-B   |                    | 4     |                            |  |
| Norm                | -          | -         | Project Number |                    | of 5  |                            |  |
| Rel.level           | Production | 150T001xx |                | Replaces: -        |       | Derived from: -            |  |

The copying, distribution and utilization of this document as well as the communication of its contents to others without expressed authorization is prohibited. Offenders will be held liable for the payment of damages. All rights reserved.

# PROTECTION COVER MOUNTING DETAILS



D-D



BOTTOM VIEW

Notes:  
 Protection cover is part of transport box 175C00002 and can be re-used to protect sensor before launch.  
 Use cover mounting holes as indicated in the drawing.

|          |          |     |                |                    |              |                |  |
|----------|----------|-----|----------------|--------------------|--------------|----------------|--|
|          |          |     |                | General Tolerances |              | Material       |  |
|          |          |     |                | ISO 2768-fK        |              | -              |  |
|          |          |     |                | Surface Tolerances |              | Finish         |  |
|          |          |     |                | DIN ISO 1302       |              | -              |  |
|          |          |     |                | Mass               |              | Description    |  |
|          |          |     |                | 31,0 ± 2 g         |              | BiSon64-ET-B   |  |
|          |          |     |                | Projection         |              | IC-Drawing     |  |
|          |          |     |                | A2                 |              | Drawing Number |  |
|          |          |     |                | 150T70105          |              | Sheet          |  |
|          |          |     |                | Replaces: -        |              | 5              |  |
|          |          |     |                | Derived from: -    |              | of 5           |  |
| Drawn    | 08-06-21 | AAN | Scale          | 3:1                | Project Name | BiSon64-ET-B   |  |
| Checked  | 14-06-21 | JLS | Project Number |                    | 150T001xx    |                |  |
| Modified | 11-03-22 | AAN | Rel.level      |                    | Production   |                |  |

The copying, distribution and utilization of this document as well as the communication of its contents to others without expressed authorization is prohibited. Offenders will be held liable for the payment of damages. All rights reserved.