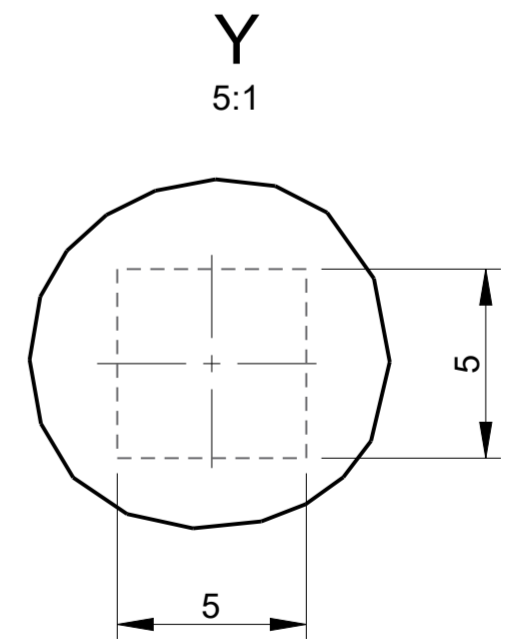
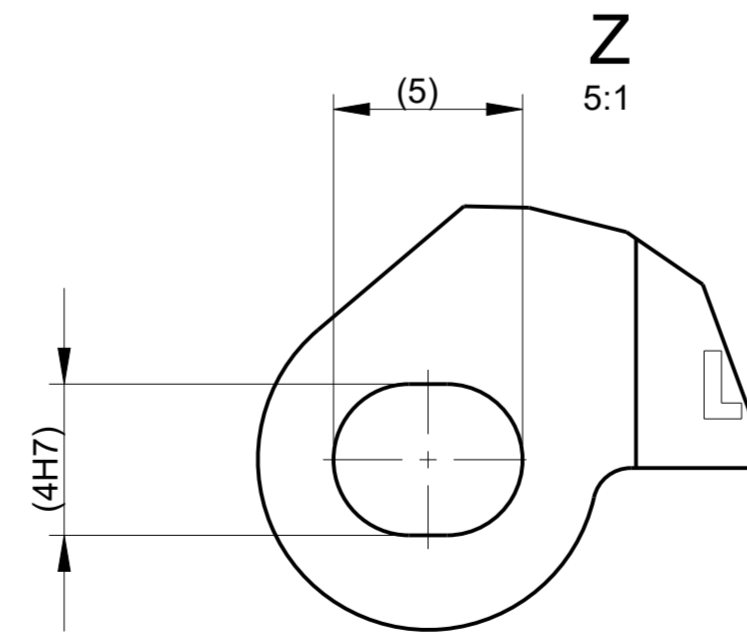
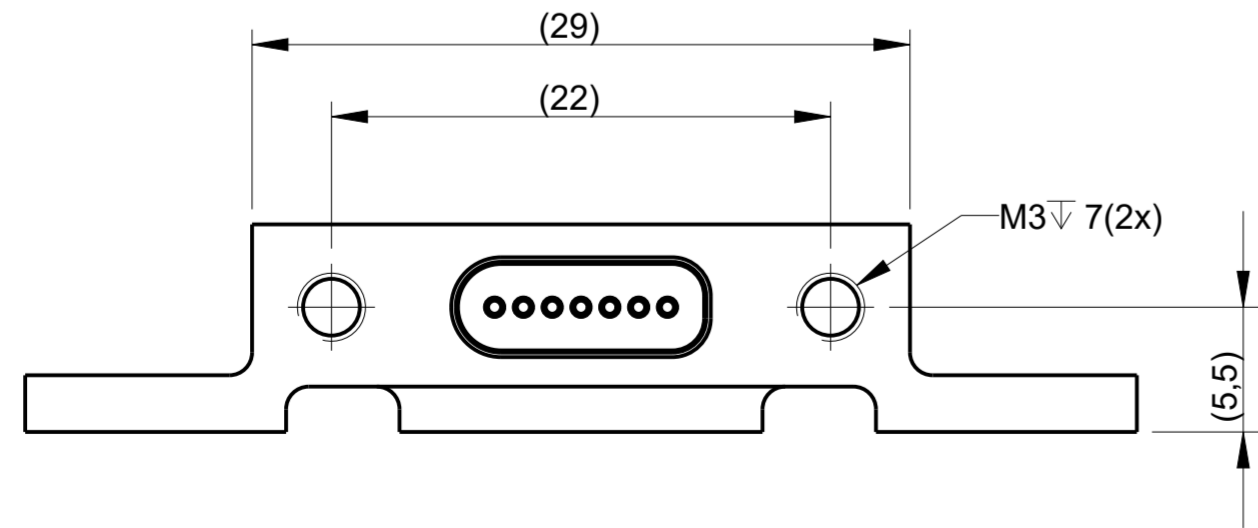
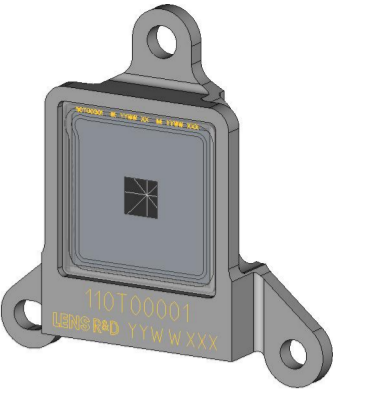
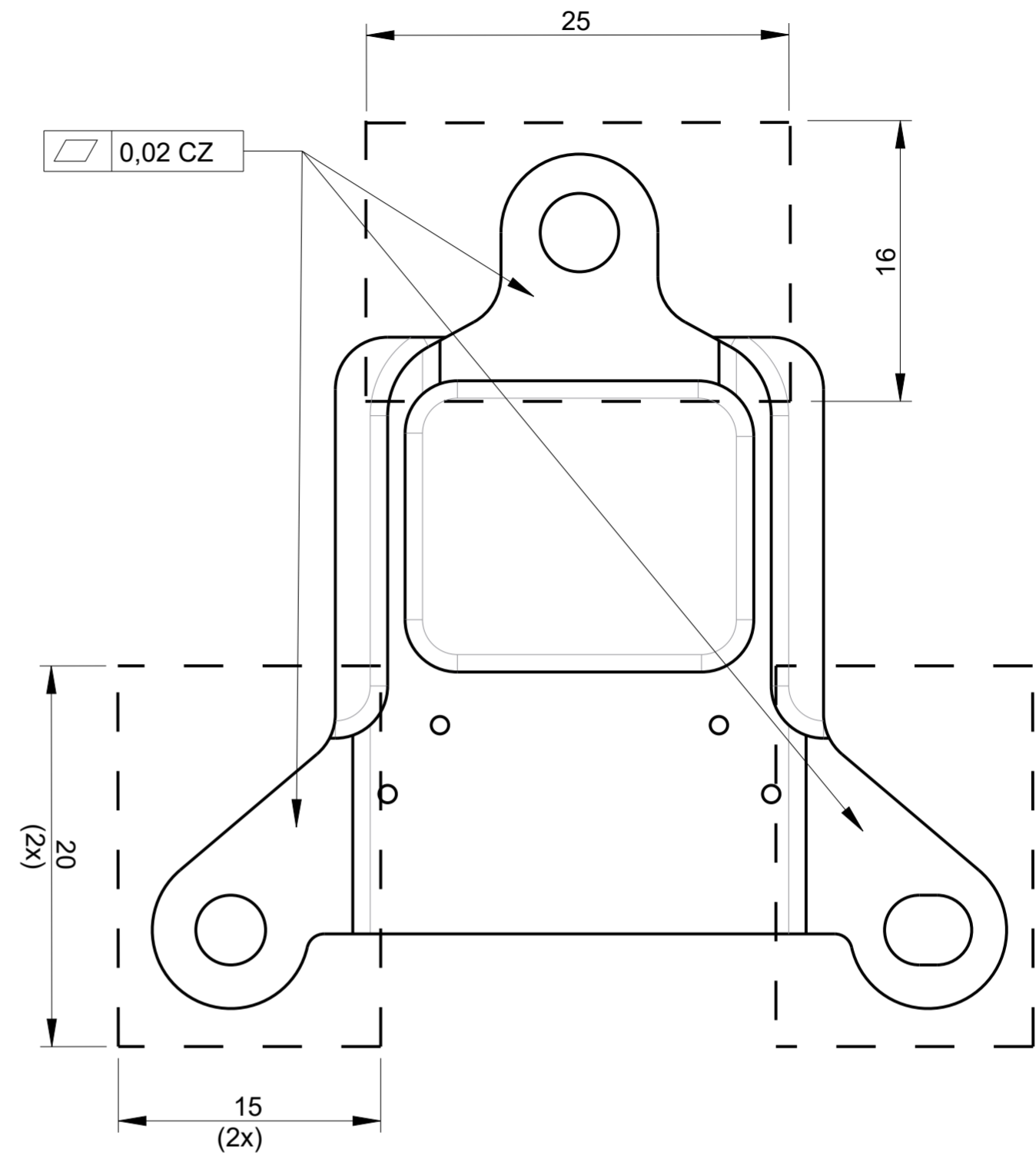
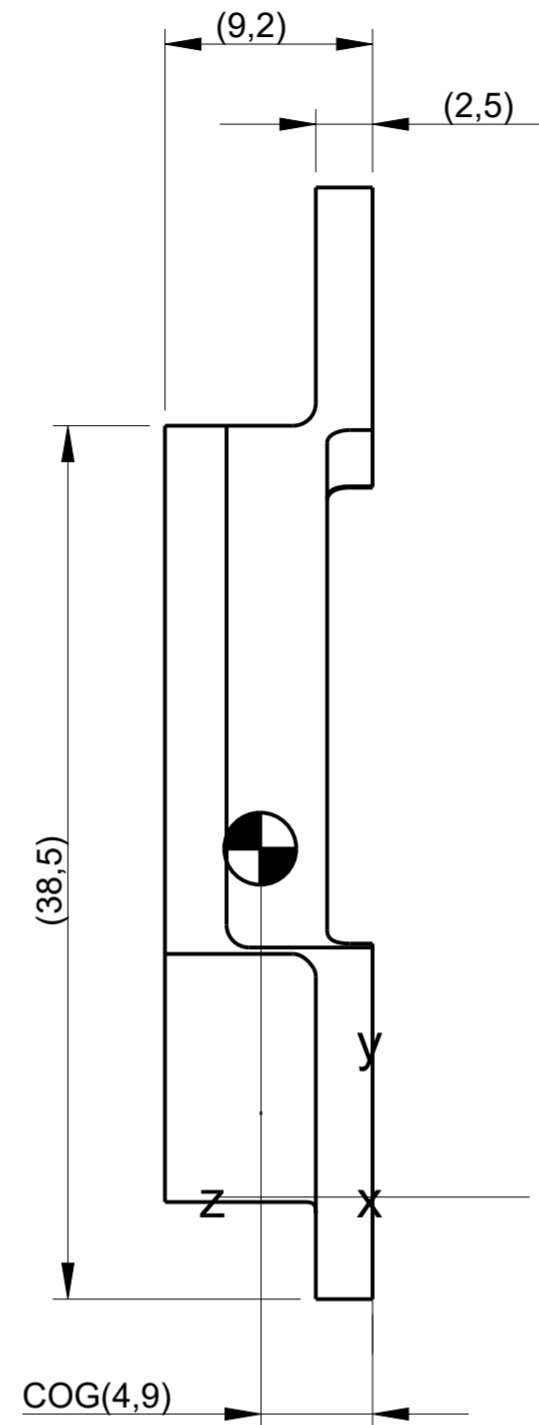
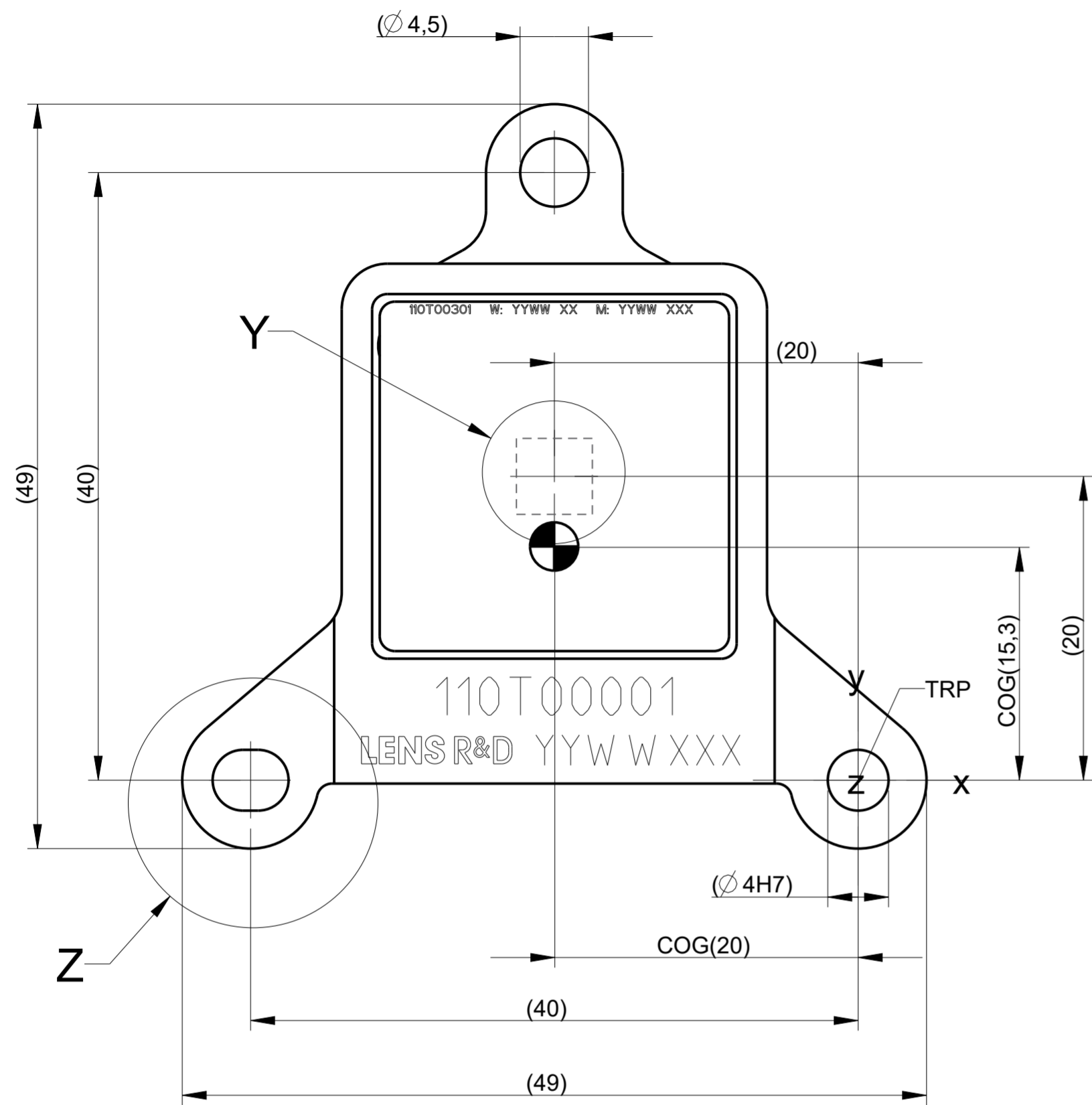


The copying, distribution and utilization of this document as well as the communication of its contents to others without expressed authorization is prohibited. Offenders will be held liable for the payment of damages. All rights reserved.

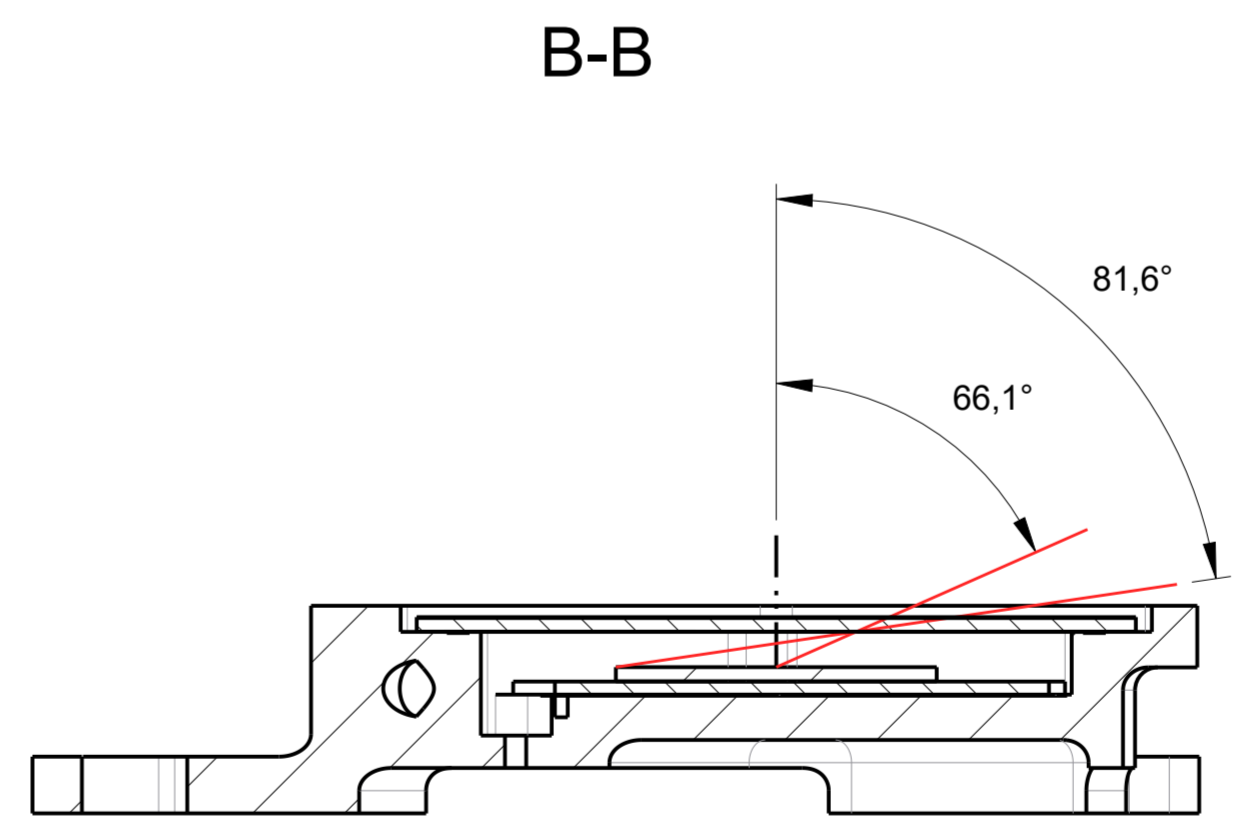
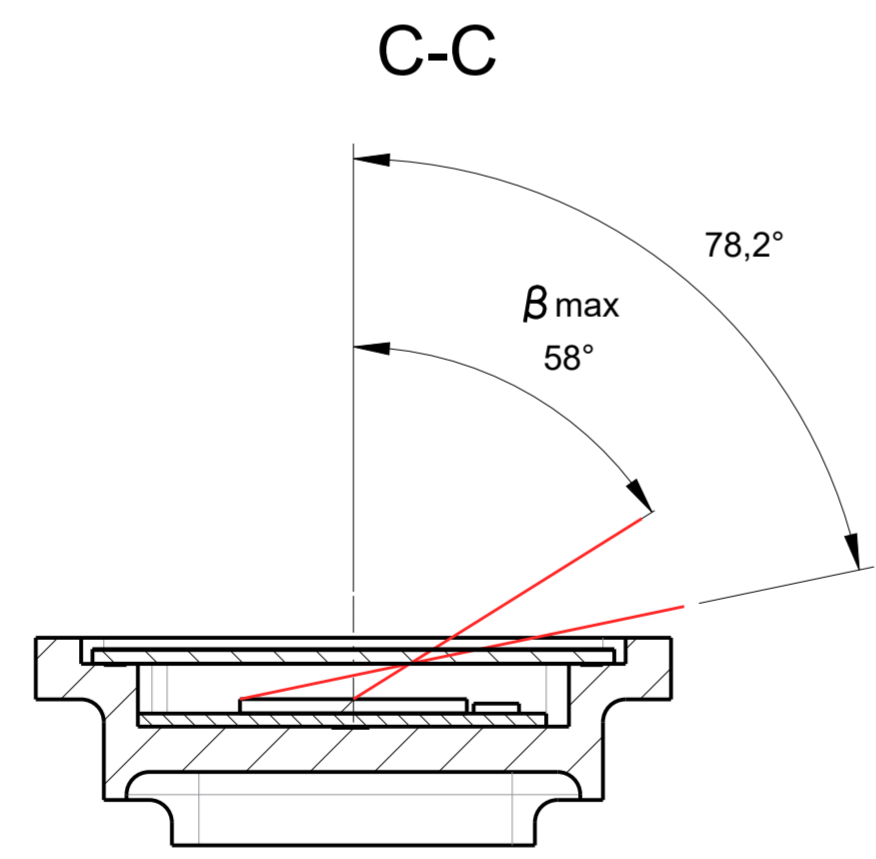
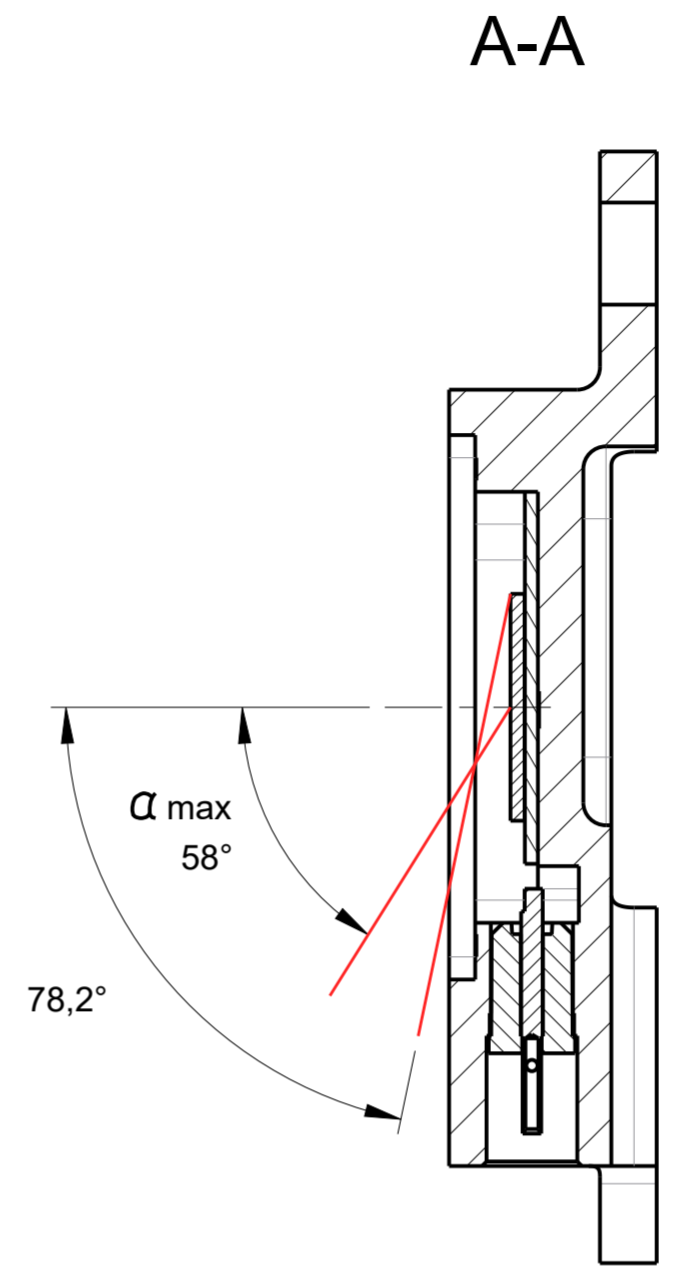
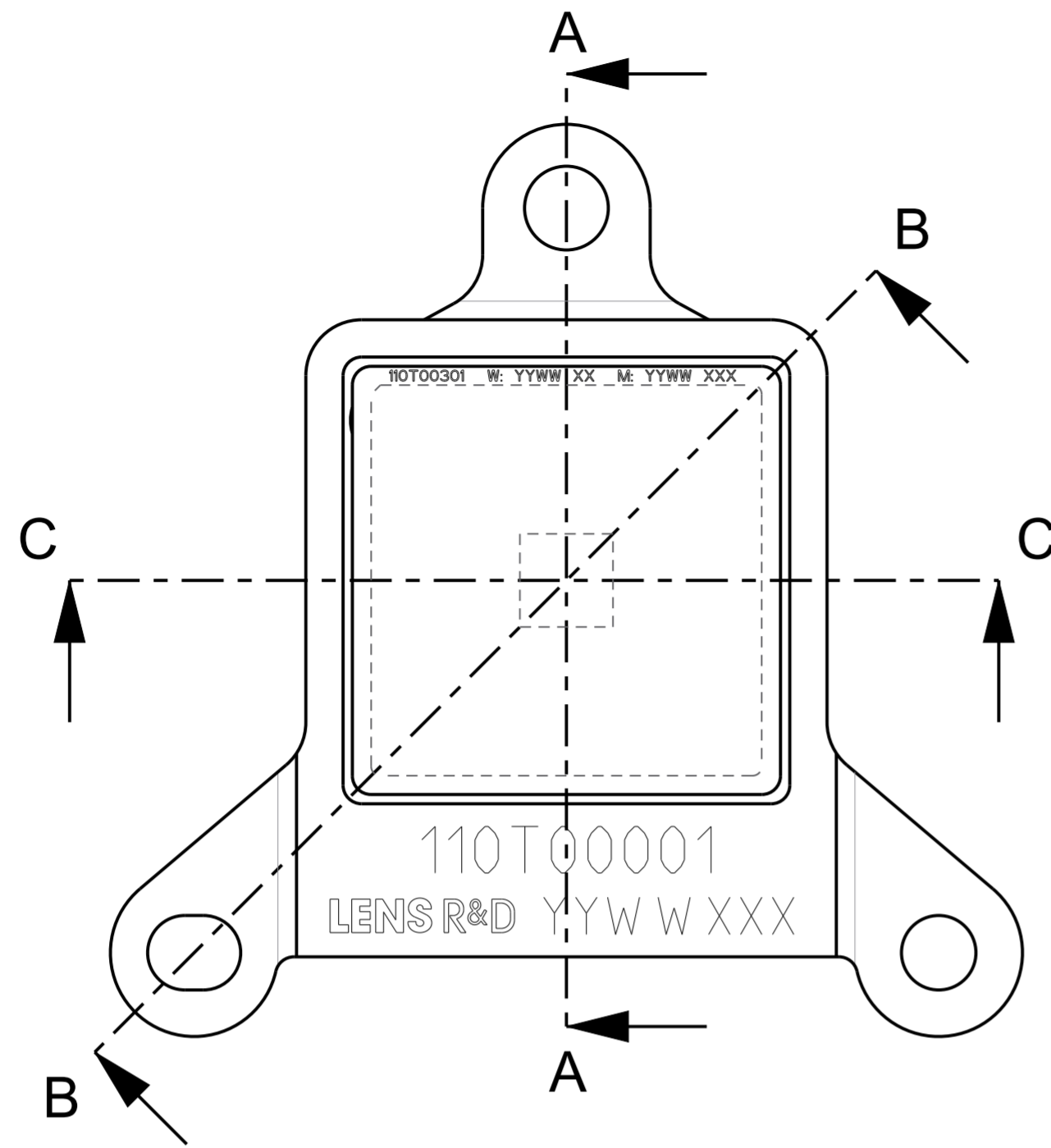


				General Tolerances		Material	
				ISO 2768-fK		-	
				Surface Tolerances		Finish	
				DIN ISO 1302		-	
				Mass		Description	
				23 ± 1 gr		BiSon64-ET	
				Projection		IC-Drawing	
				A2		Drawing Number	
				110T70104		Sheet	
				1		of 5	
				Replaces: -		Derived from: -	

Date		Name		Scale		Projection		Size	
12-07-16		ALIN		3:1		A2		A2	
Checked		Name		Project Name					
12-07-16		JBA		BiSon64-ET					
Modified		Name		Project Number					
09-06-20		CBE		110T000xx					
Norm		Name		Project Number					
-		-		110T000xx					
Rel.level		Name		Project Number					
Production		-		-					

**LENS R&D**

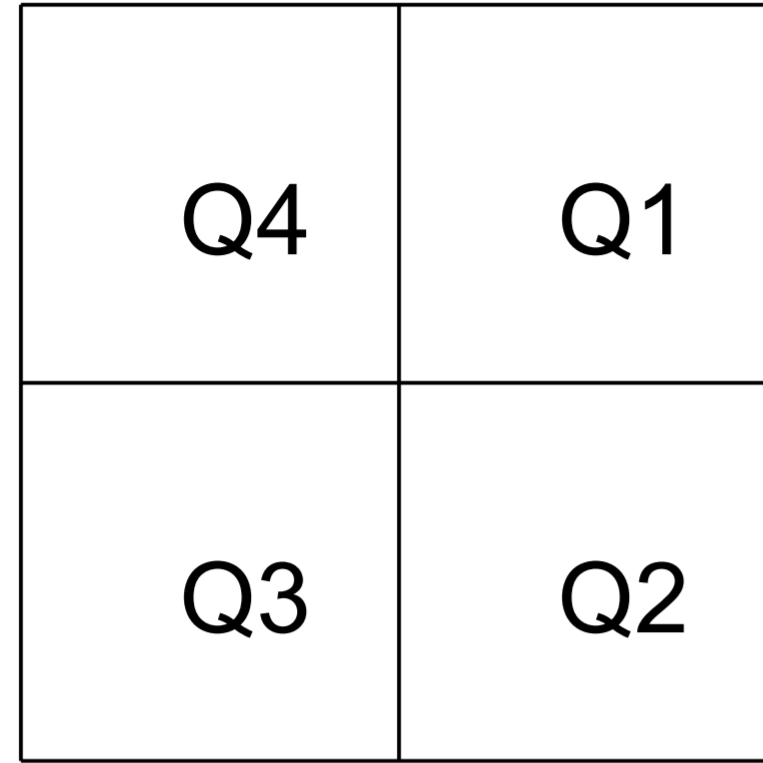
The copying, distribution and utilization of this document as well as the communication of its contents to others without expressed authorization is prohibited. Offenders will be held liable for the payment of damages. All rights reserved.



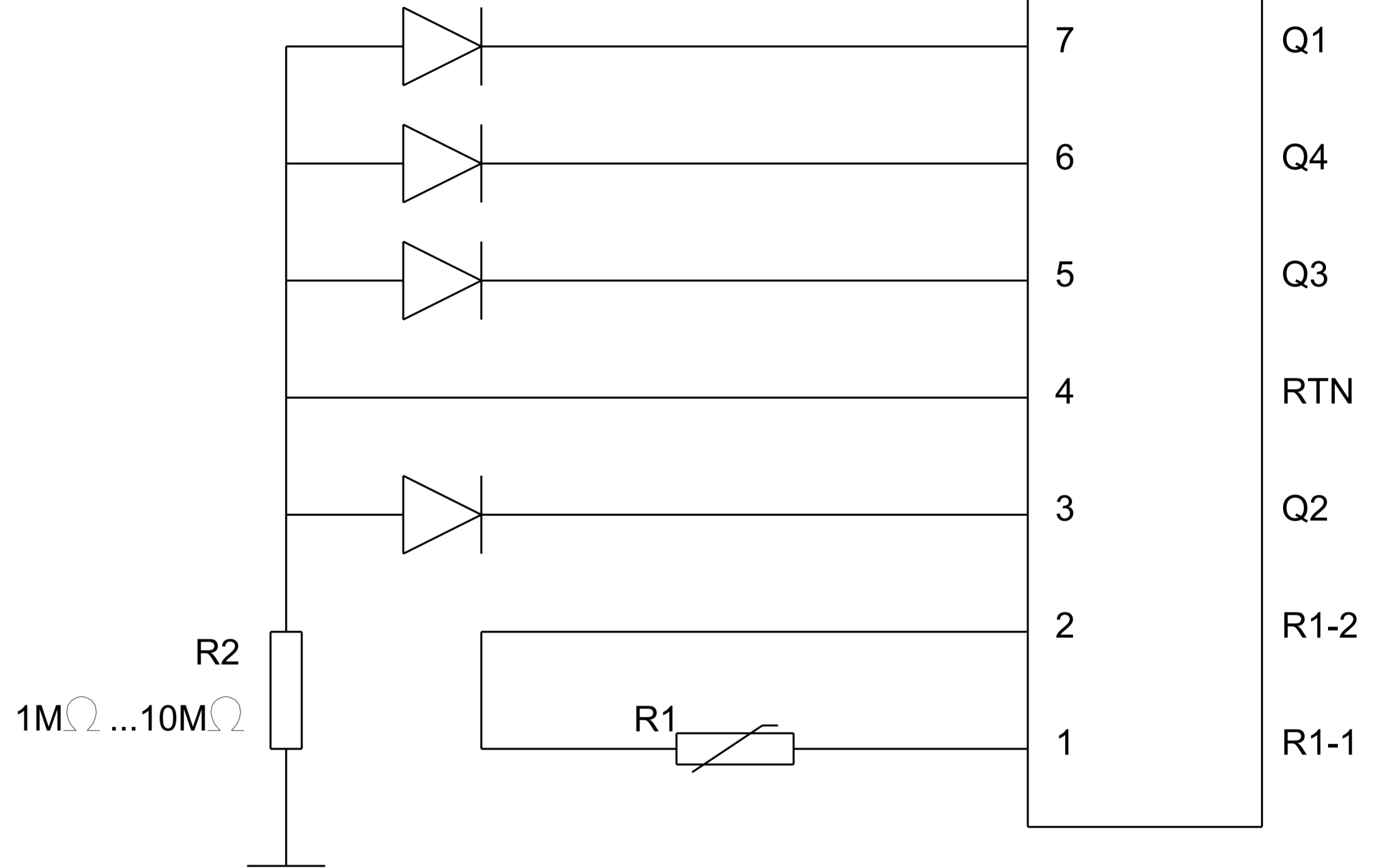
Note:  
Accuracy of all angles is  $\pm 2^\circ$

<b>LENS R&amp;D</b>				General Tolerances		Material	
				ISO 2768-fK		-	
				Surface Tolerances		Finish	
				DIN ISO 1302		-	
				Mass		Description	
				23 $\pm$ 1 gr		BiSon64-ET IC-Drawing	
Drawn	12-07-16	ALIN	Scale	3:1	Projection	A2	Drawing Number
Checked	12-07-16	JBA	Project Name				110T70104
Modified	09-06-20	CBE	BiSon64-ET				
Norm	-	-	Project Number				Sheet 2 of 5
Rel.level	Production		110T000xx				
						Replaces: -	Derived from: -

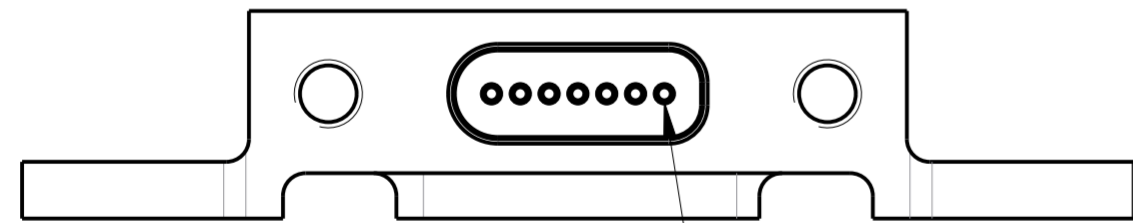
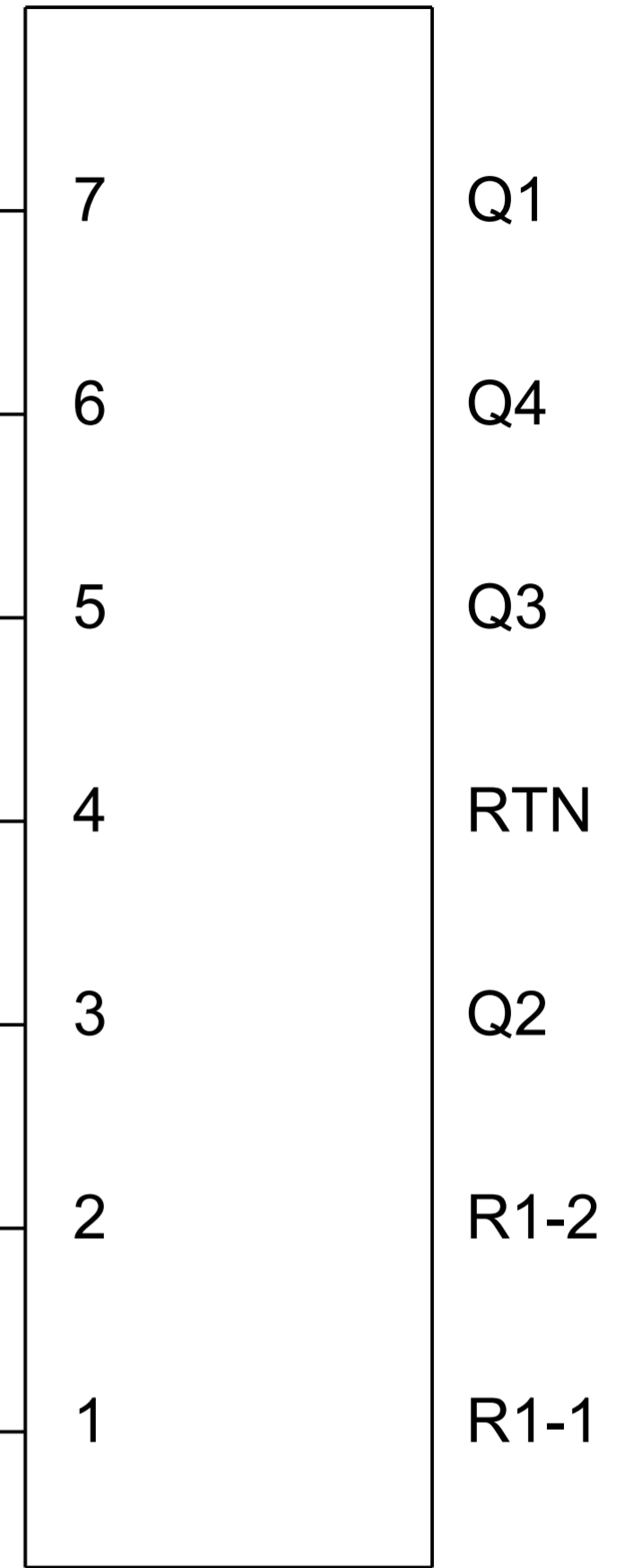
TOP VIEW D1



D1



J1



PIN 1 of J1 "All pins are female"

The copying, distribution and utilization of this document as well as the communication of its contents to others without expressed authorization is prohibited. Offenders will be held liable for the payment of damages. All rights reserved.

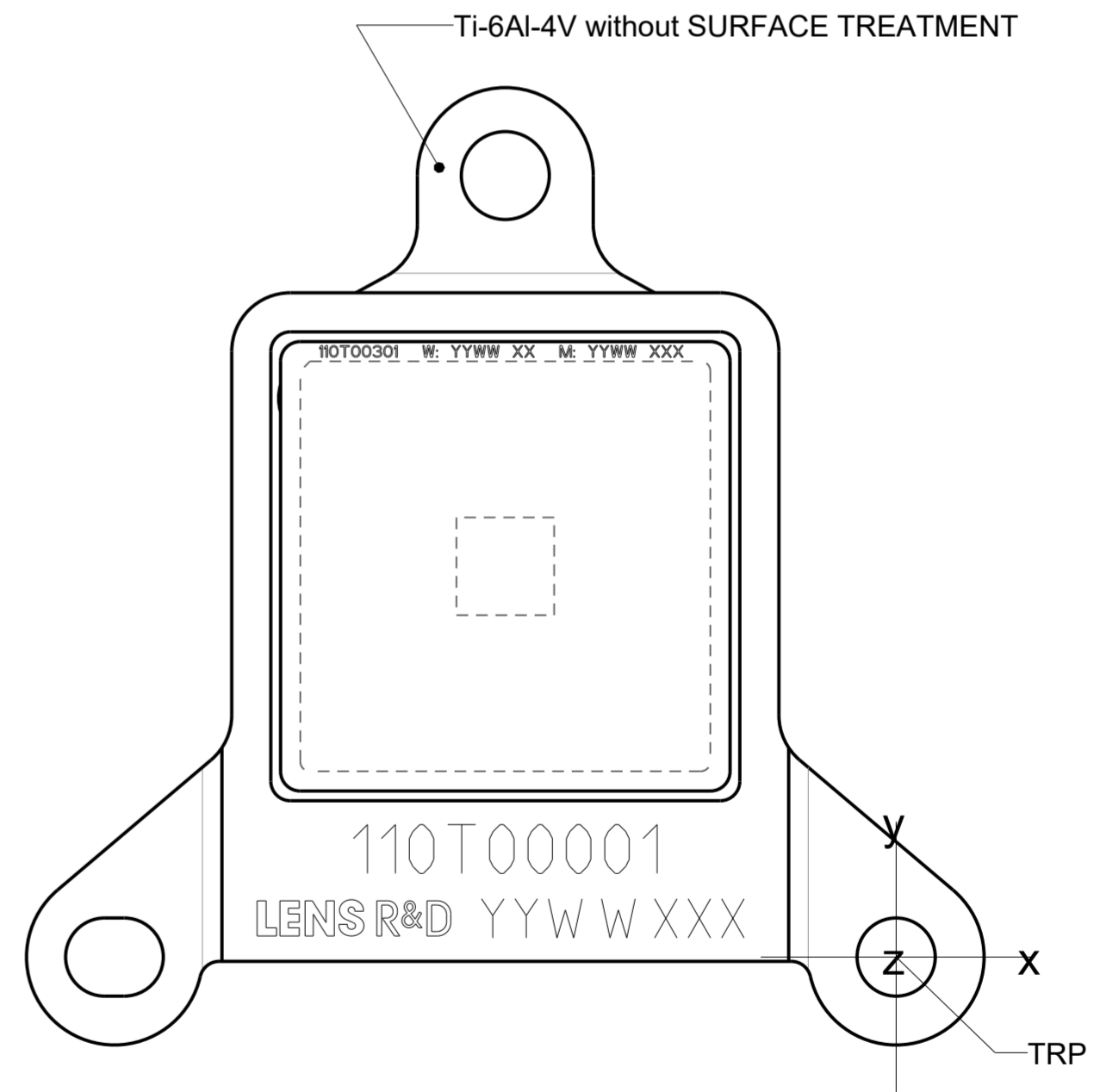
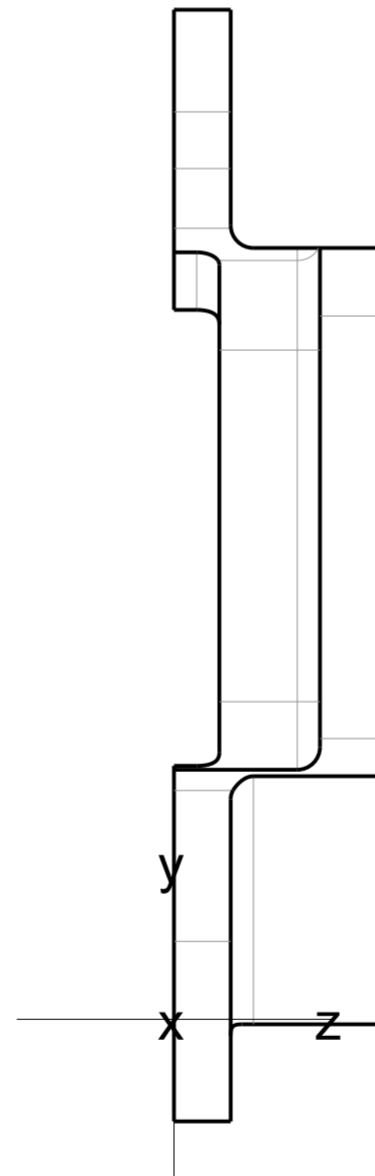
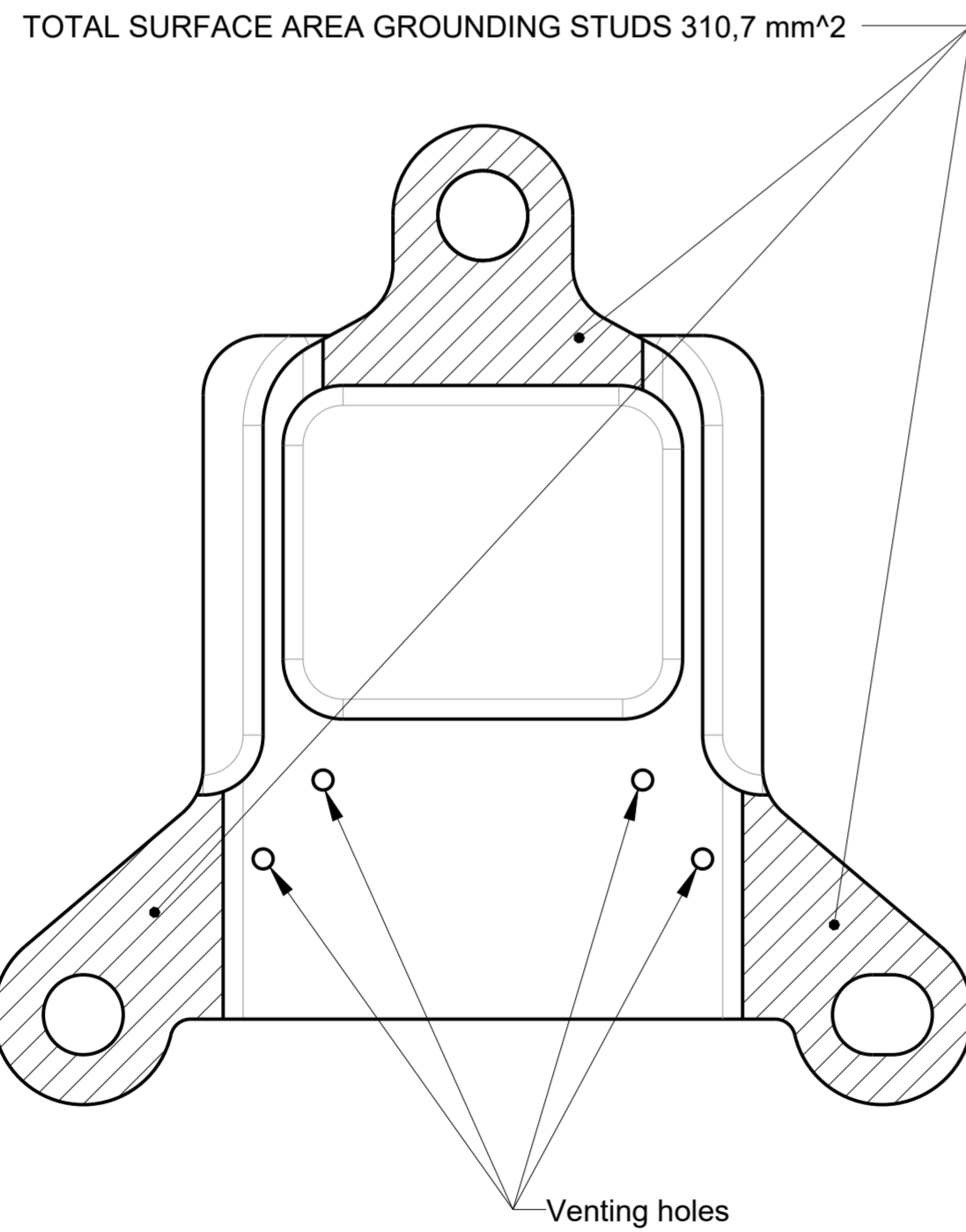
				General Tolerances		Material	
				ISO 2768-fK		-	
				Surface Tolerances		Finish	
				DIN ISO 1302		-	
				Mass		Description	
				23 ± 1 gr		BiSon64-ET	
				Projection		IC-Drawing	
				3:1		A2	
Drawn	12-07-16	ALIN	Scale	Project Name		Drawing Number	
Checked	12-07-16	JBA	BiSon64-ET		110T70104		Sheet 3
Modified	09-06-20	CBE	Project Number		110T000xx		of 5
Norm	-	-	Rel.level		Production		Replaces: -
						Derived from: -	

PRINCIPAL MOMENTS OF INERTIA WITH RESPECT TO  
TEMPERATURE REFERENCE POINT COORDINATE SYSTEM (kg·mm<sup>2</sup>)

Ixx 9.01e+00  
Iyy 1.17e+01  
Izz 1.94e+01

PRINCIPAL MOMENTS OF INERTIA AT CENTER OF GRAVITY WITH RESPECT TO  
TEMPERATURE REFERENCE POINT COORDINATE SYSTEM (kg·mm<sup>2</sup>)

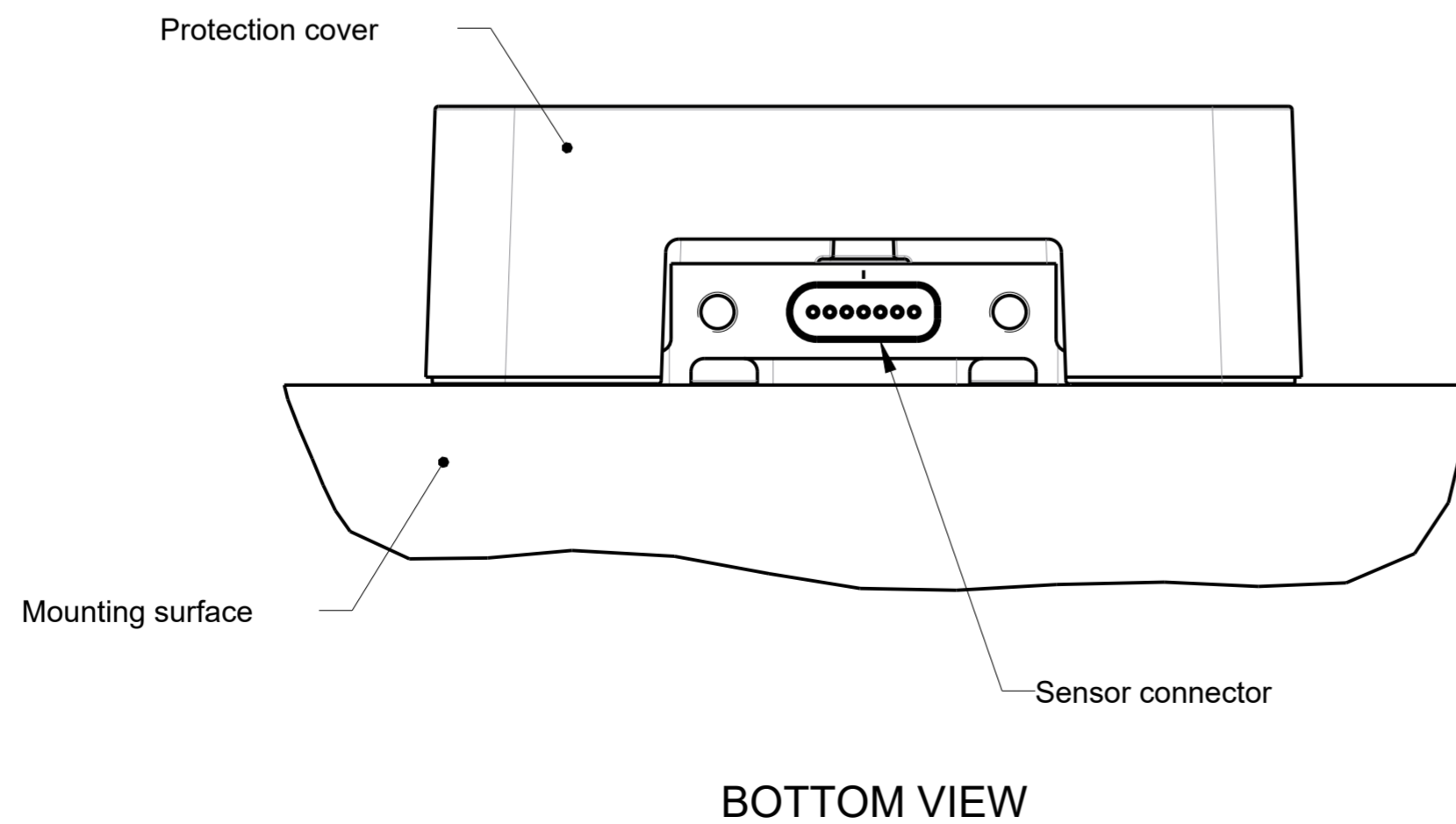
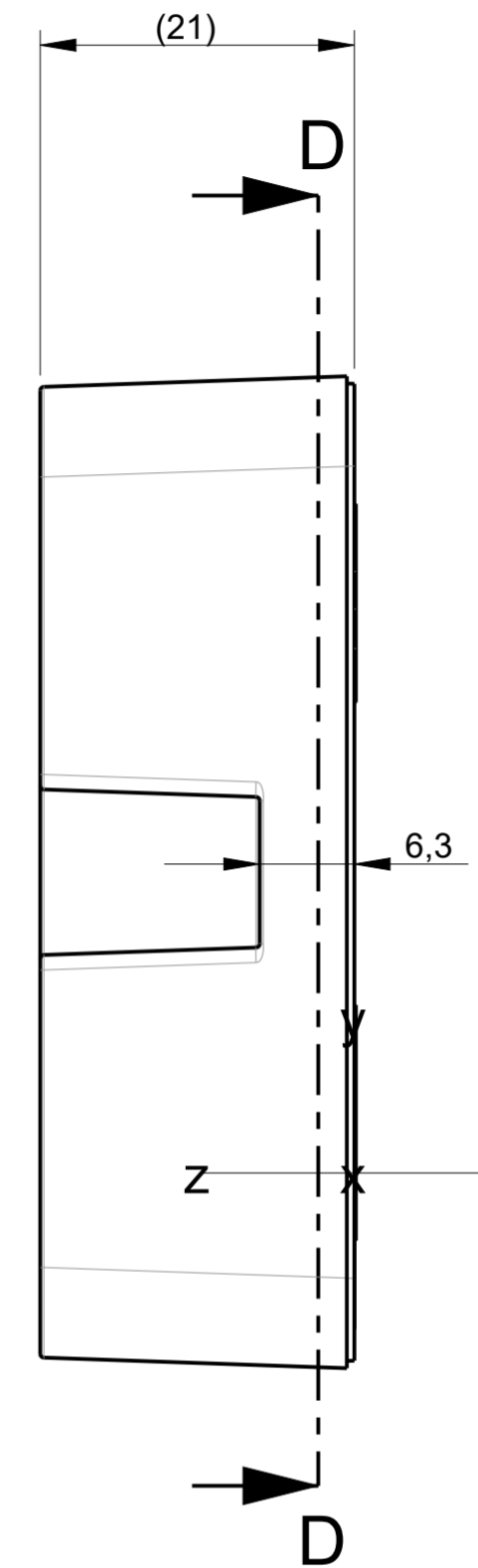
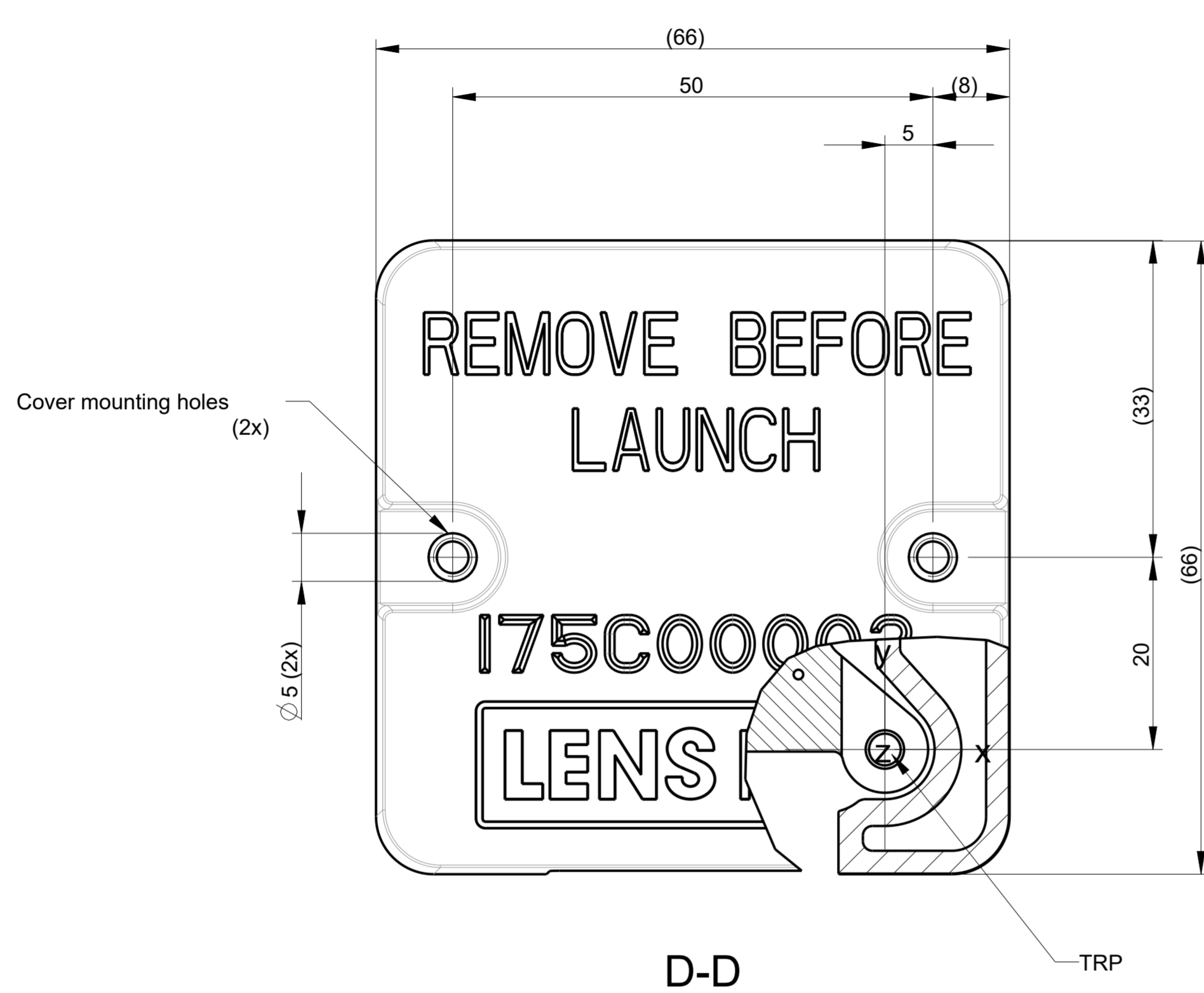
Ixx 3.17e+00  
Iyy 2.15e+00  
Izz 5.05e+00



The copying, distribution and utilization of this document as well as the communication of its contents to others without expressed authorization is prohibited. Offenders will be held liable for the payment of damages. All rights reserved.

				General Tolerances		Material	
				ISO 2768-fK		-	
				Surface Tolerances		Finish	
				DIN ISO 1302		-	
				Mass		Description	
				23 ± 1 gr		BiSon64-ET	
				Projection		IC-Drawing	
				A2			
Drawn	Date	Name	Scale	Project Name		Drawing Number	
	12-07-16	ALIN	3:1	BiSon64-ET		110T70104	
Checked	12-07-16	JBA	Project Number		Sheet		
Modified	09-06-20	CBE	110T000xx		4		
Norm	-	-			of 5		
Rel.level	Production				Replaces: -		Derived from: -

# PROTECTION COVER MOUNTING DETAILS



BOTTOM VIEW

Note:  
 Protection cover material: POM  
 Protection cover is part of transportbox 175C00002  
 and can be re-used to protect sensor before launch  
 Use cover mounting holes as indicated in the drawing.

				General Tolerances		Material	
				ISO 2768-fK		-	
				Surface Tolerances		Finish	
				DIN ISO 1302		-	
				Mass		Description	
				23 ± 1 gr		BiSon64-ET	
				Projection		IC-Drawing	
				A2		Drawing Number	
				110T000xx		110T70104	
				Replaces: -		Derived from: -	
Drawn	12-07-16	ALIN	3:1	Project Name		Sheet	
Checked	12-07-16	JBA		BiSon64-ET		5	
Modified	20-05-20	CBE		Project Number		of 5	
Norm	-	-		110T000xx			
Rel.level	Production						

The copying, distribution and utilization of this document as well as the communication of its contents to others without expressed authorization is prohibited. Offenders will be held liable for the payment of damages. All rights reserved.